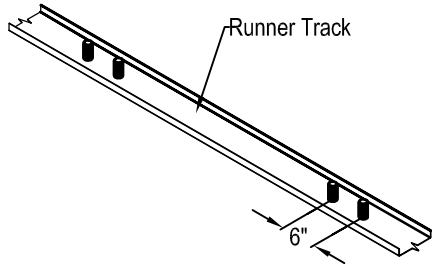


StiffWall® Column Installation Instructions

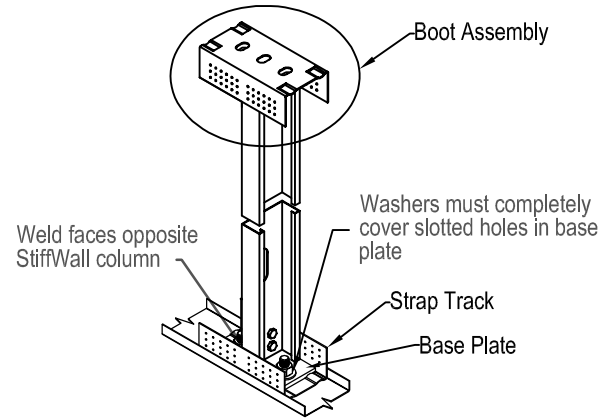
The Steel Network, Inc. (888) 474-4876



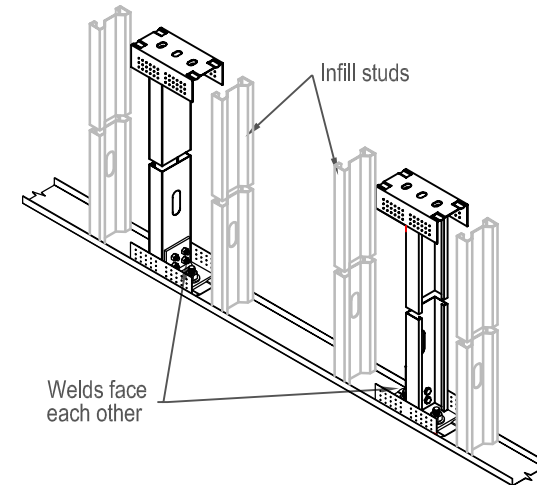
① Position bottom track on slab and provide holes in track web for anchor bolts.



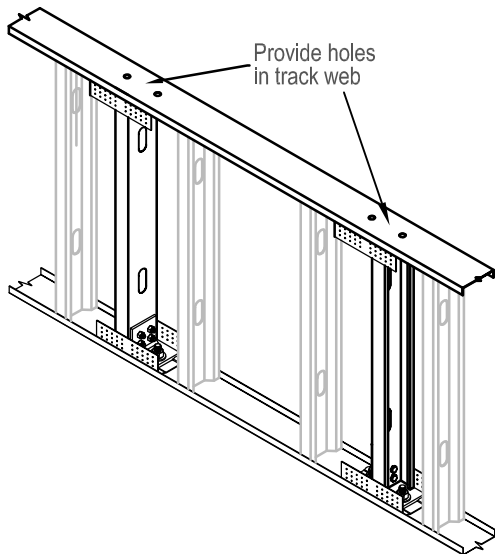
② Nest a StiffWall column assembly into the track over the anchors. Install washers and tighten nuts per manufacturer's recommendations.



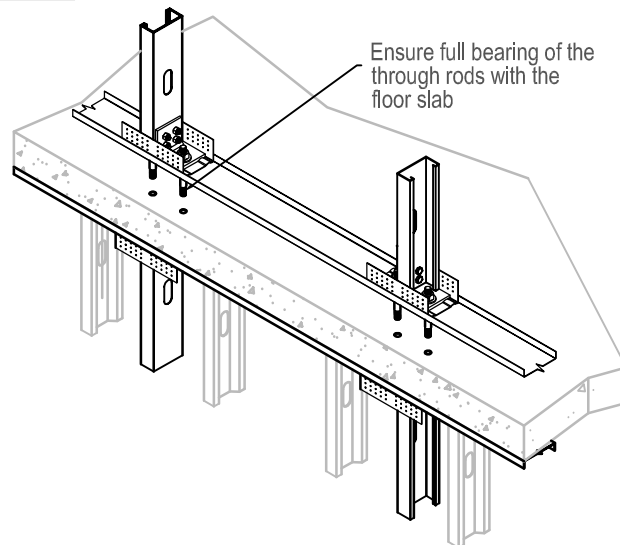
③ Install required infill studs until the next StiffWall column is encountered. Install StiffWall column assembly as shown in step 2.



④ Install top track. Track web holes must be provided at boot assembly locations for upper floor anchors to pass through.



⑤ Install anchors or through rods into the top base plates. If another floor is to be added, and through rods are used, they will extend through the floor and into the lower StiffWall® boot assembly of the next floor.



⑥ Install Flat Strap X-Bracing.

