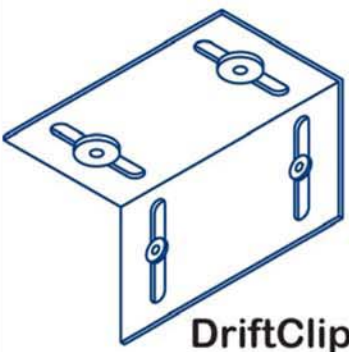



DriftClip® DSL Installation Instructions


Vertical Deflection & Drift @ Head of Wall



DriftClip® DSL

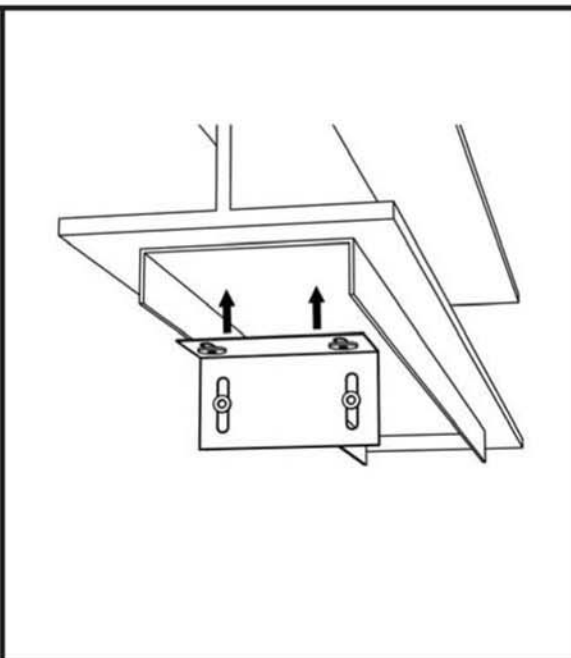
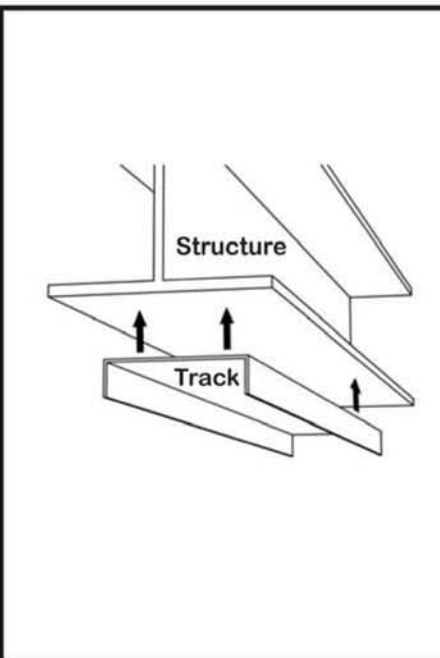


Large Step Bushing
(Engineered for PAF to structure)




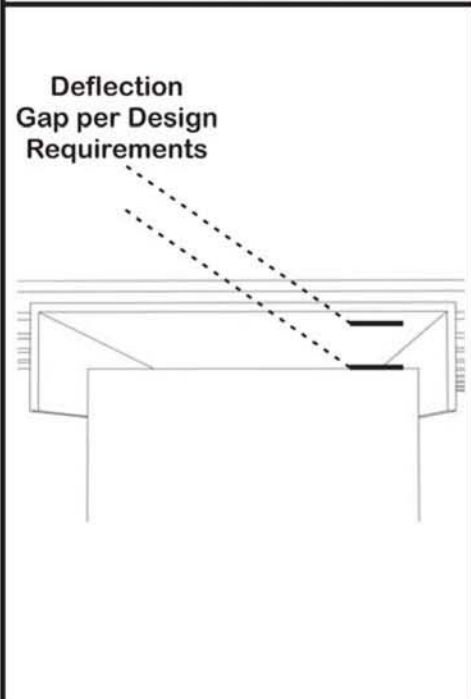
Standard Step Bushing
(Engineered for #12 screw to stud)

Do not remove step bushings unless otherwise directed



Attachment to Structure per Design Specifications

Fasteners should be installed through each step bushing.

Install screws using a screw gun that does not exceed 2,500 rpm.

#12 Screw

Fasteners should be installed through each step bushing.
Screw gun must be equipped with torque limiting clutch to avoid fastener overdrive.

For Installation, Technical, or Submittal questions, contact TSN at (888) 474-4876.

Email us at tsn@steelnetwork.com.

Visit www.steelnetwork.com and discover the value of each TSN Solution.