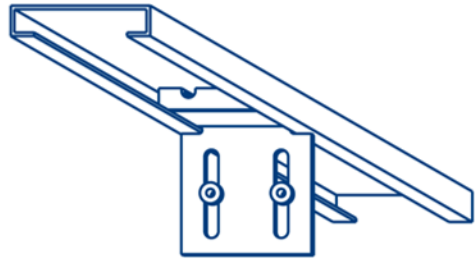


DriftTrak® DTSL Installation Instructions

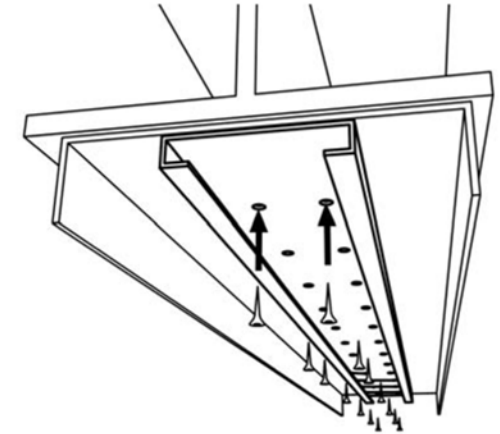
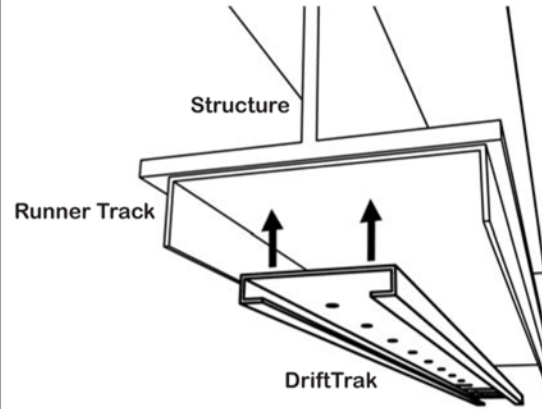
Vertical Deflection & Drift @ Head of Wall



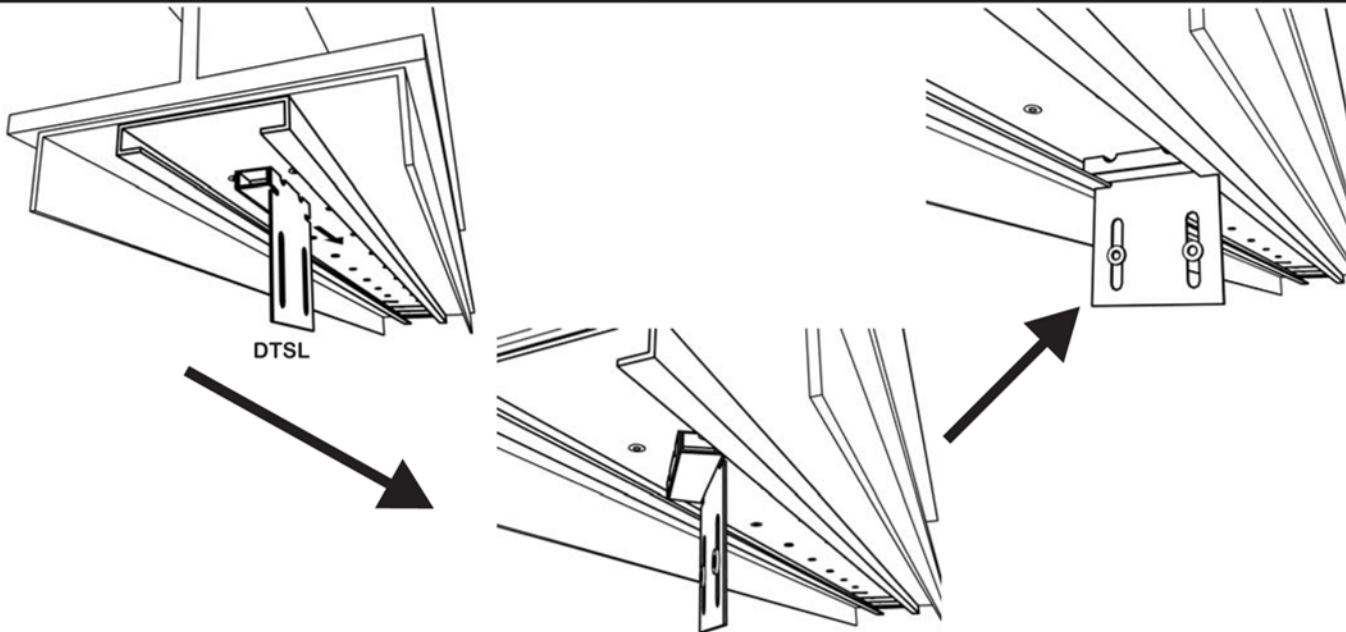
Standard Step Bushing
(DO NOT REMOVE FROM SLOTS)



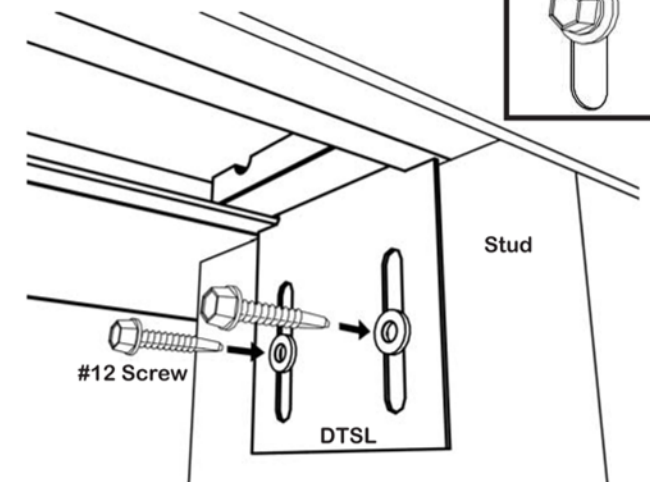
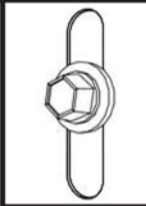
Stiffening Plate
(DO NOT REMOVE FROM CLIP)



Refer to Design Drawings
for fastener size and amount



Install screws using a screw gun that
does not exceed 2,500 rpm.



Screw gun must be equipped with torque
limiting clutch to avoid fastener overdrive.

Rev 2