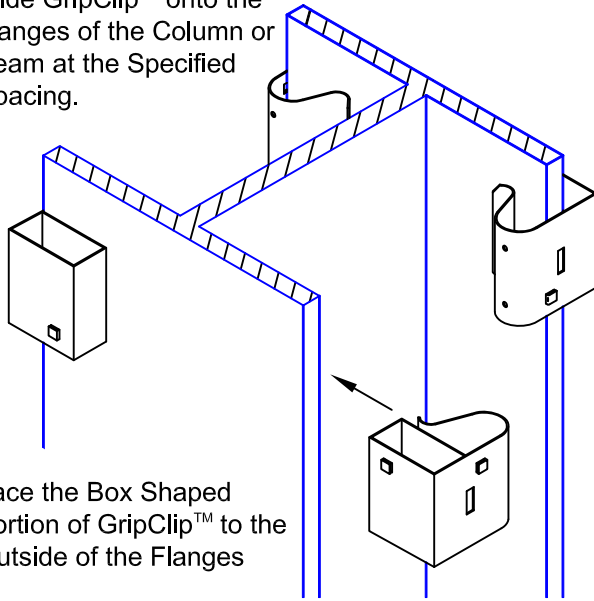


Drywall GripClip™ Installation Instructions



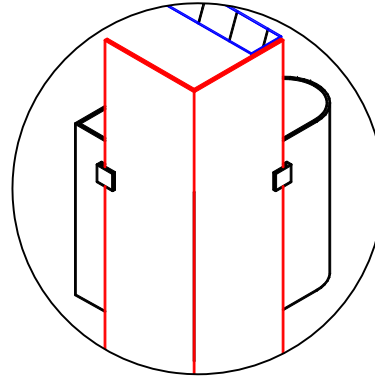
For the Attachment of Gypsum Wallboard to Steel Columns and Beams

Slide GripClip™ onto the Flanges of the Column or Beam at the Specified Spacing.

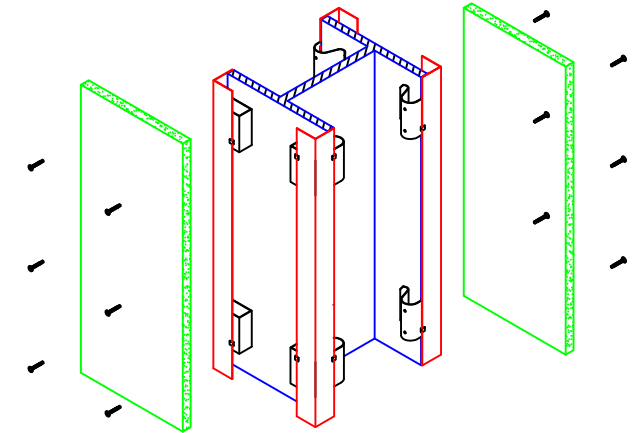


Face the Box Shaped Portion of GripClip™ to the Outside of the Flanges

If Required, Snap 1 1/2"x1 1/2"-18mil or Other Angle Into GripClip's™ Tabs

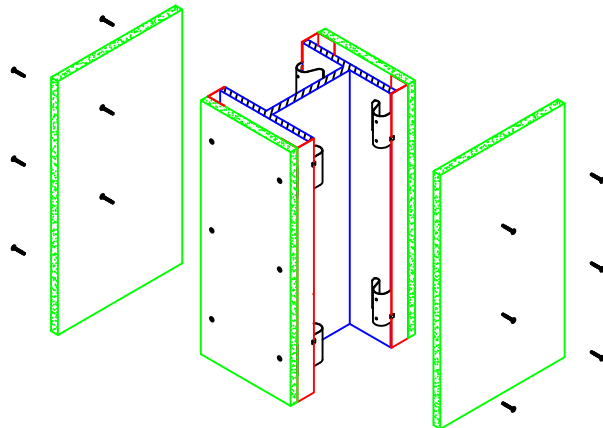


Trim Gypsum Wallboard to Size for Flange Sides of Column or Beam



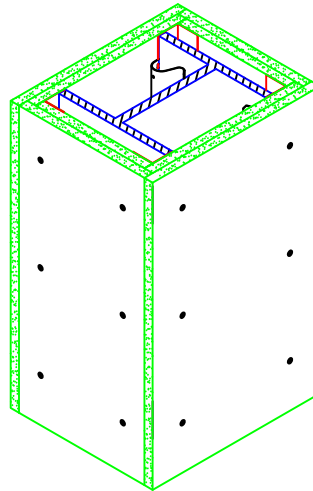
Attach With Self-Drilling Screws Through 1 1/2"x1 1/2" Angle & GripClip™ at the Specified Spacing

Trim Gypsum Wallboard to Size for Web Sides of Column or Beam

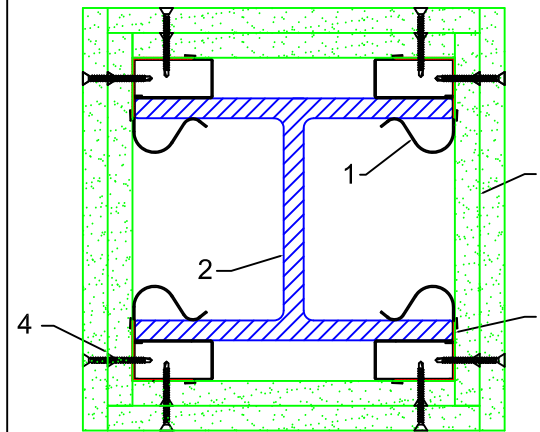


Attach With Self-Drilling Screws Through 1 1/2"x1 1/2" Angle & GripClip™ at the Specified Spacing

Finish With the Specified Number of Layers of Gypsum Wallboard



Cross-Section of Finished Assembly



- | Item | Description |
|------|---|
| 1. | GripClip™ |
| 2. | Column or Beam |
| 3. | Gypsum Wallboard (# of Layers as Specified) |
| 4. | Self-Drilling Screws |
| 5. | 1 1/2"x1 1/2" Angle |

For Installation, Technical, or Submittal Questions, Contact TSN (888) 474-4876 or tsn@steelnetwork.com
Visit www.steelnetwork.com and Discover the Value of Each TSN Solution