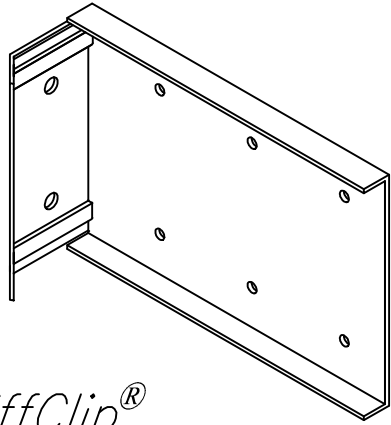
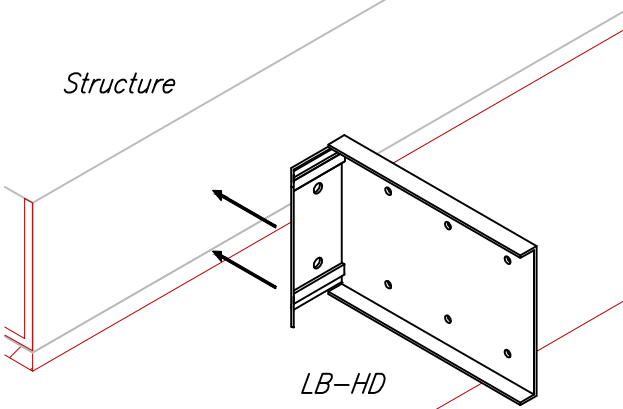
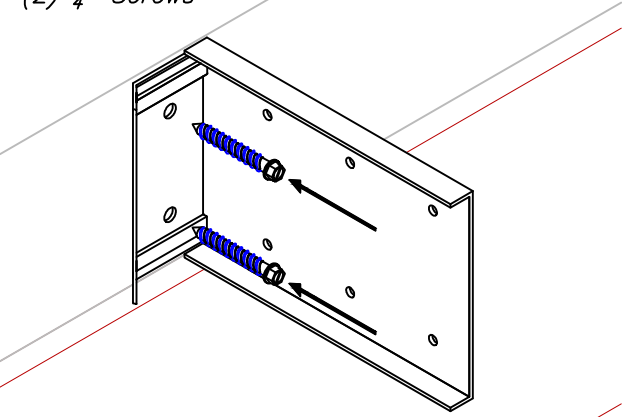
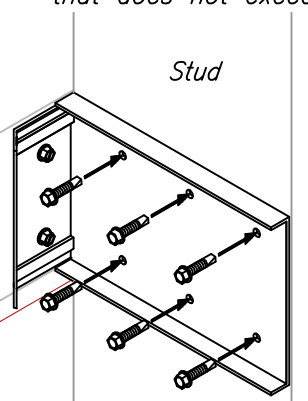
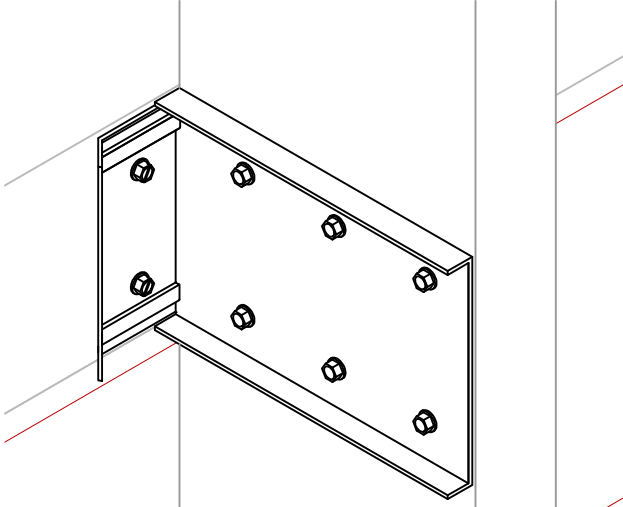


# StiffClip® LB-HD Installation Instructions

## Heavy Duty Multipurpose Clip



 <p>StiffClip® LB-HD</p>	 <p>Structure</p> <p>LB-HD</p>	<p>(2) 1/4" Screws</p>  <p>Refer to Design Drawings for required fastener type.</p>
<p>Install screws using a screw gun that does not exceed 2,500 rpm.</p>  <p>Stud</p> <p>Refer to Design Drawings for required fastener type, size and Quantity.</p> <p>Screw gun must be equipped with torque limiting clutch to avoid fastener overdrive.</p>		<p>For Installation, Technical, or Submittal questions, contact TSN at (888) 474-4876.</p> <p>Email us at <a href="mailto:support@steelnetwork.com">support@steelnetwork.com</a></p> <p>Visit <a href="http://www.steelnetwork.com">www.steelnetwork.com</a> and discover the value of each TSN Solution.</p>

Rev 1

© 2012 The Steel Network, Inc. All Rights Reserved

Products in this catalog are designed and manufactured for the specific purposes shown, and should not be used in other application unless approved by a qualified design professional. All modifications to products or changes in installation procedures should be made by a qualified design professionals. The performance of such modified products or altered installation procedures in the sole responsibility of the design professional or installation contractor. The installation contractor is responsible for installing all products in accordance with relevant specifications and building codes.