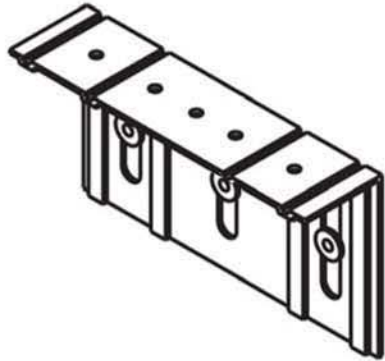


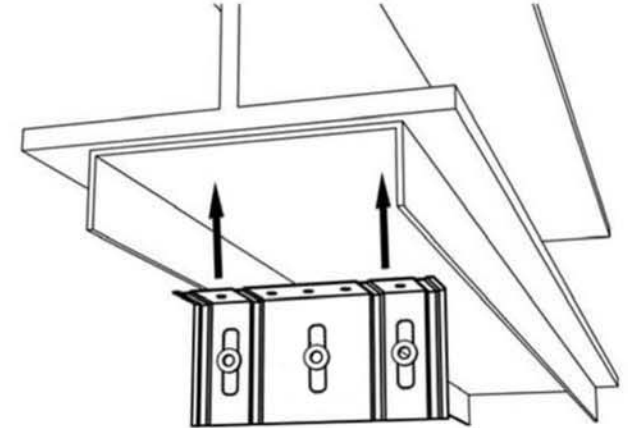
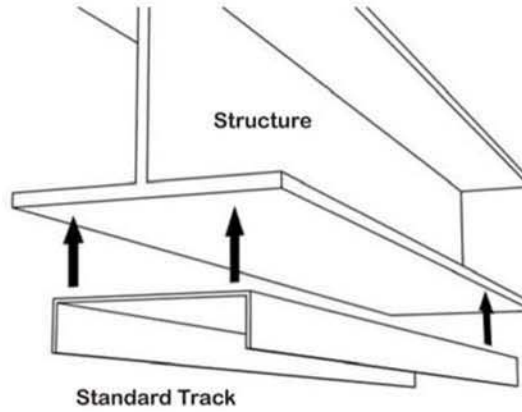
VertiClip® SL/SLD Installation Instructions

Vertical Deflection @ Head of Wall

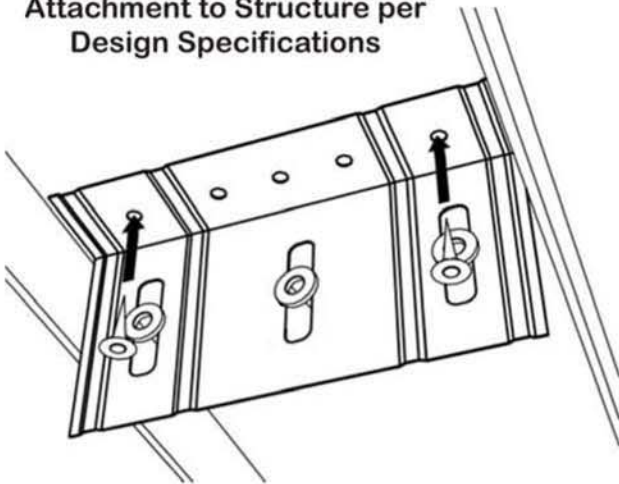


VertiClip® SL/SLD

Standard Step Bushing
(Do not remove from slots unless otherwise directed)

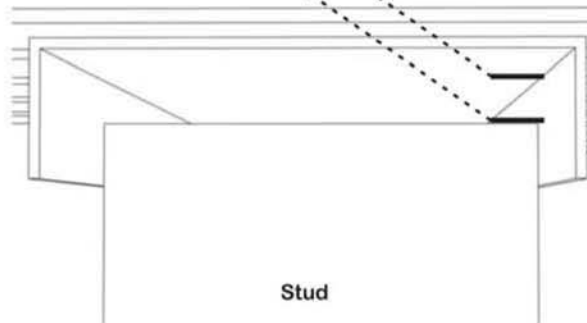


Attachment to Structure per Design Specifications

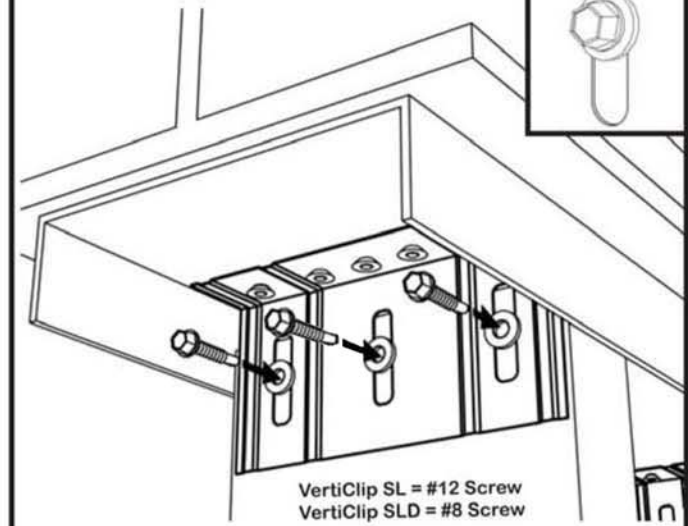


* VertiClip SL600 Shown, Number of Slots May Vary

Deflection Gap



Install screws using a screw gun that does not exceed 2,500 rpm.



Screw gun must be equipped with torque limiting clutch to avoid fastener overdrive.