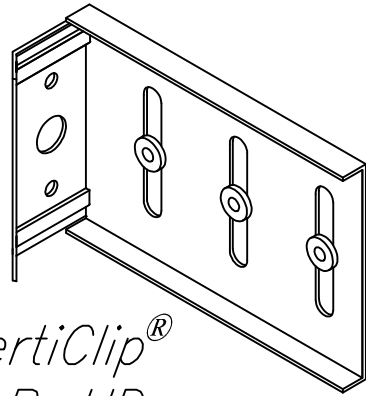


# VertiClip<sup>®</sup> SLB-HD Installation Instructions

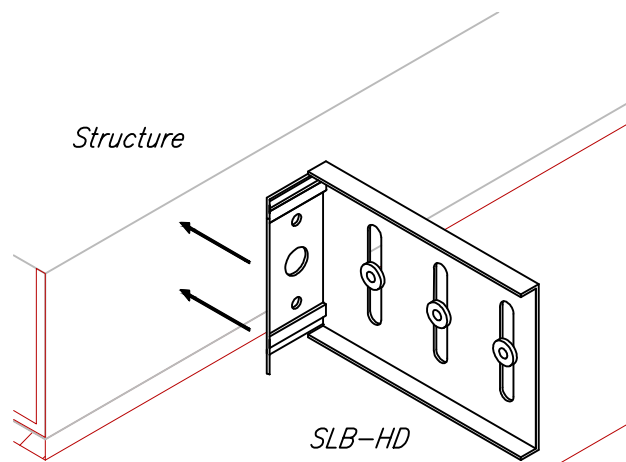
## Heavy Duty Vertical Deflection at Bypass Slab



VertiClip<sup>®</sup>  
SLB-HD



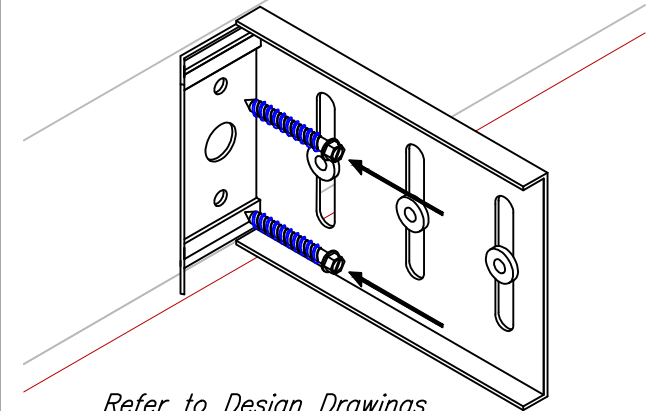
Step Bushings are pre-installed. Do not remove unless otherwise indicated.



Structure

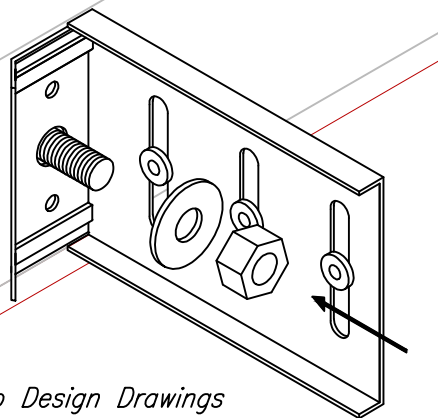
SLB-HD

Anchorage Option A:  
(2)  $\frac{1}{4}$ " Screws



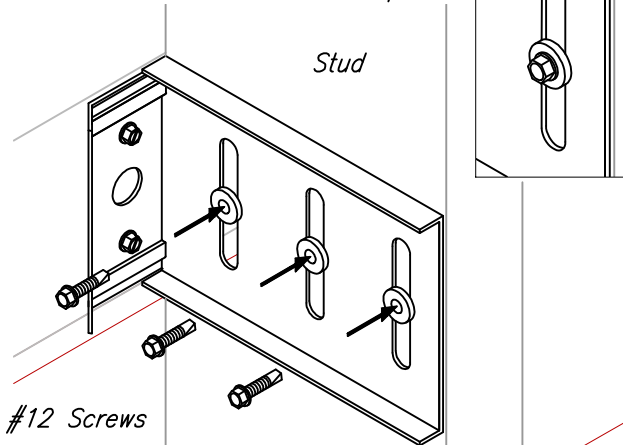
Refer to Design Drawings for required fastener type.

Anchorage Option B:  
(1)  $\frac{1}{2}$ " Anchor



Refer to Design Drawings for required fastener type.

Install screws using a screw gun that does not exceed 2,500 rpm.



Stud

#12 Screws

Screw gun must be equipped with torque limiting clutch to avoid fastener overdrive.

For Installation, Technical, or Submittal questions, contact TSN at (888) 474-4876.

Email us at [support@steelnetwork.com](mailto:support@steelnetwork.com)

Visit [www.steelnetwork.com](http://www.steelnetwork.com) and discover the value of each TSN Solution.