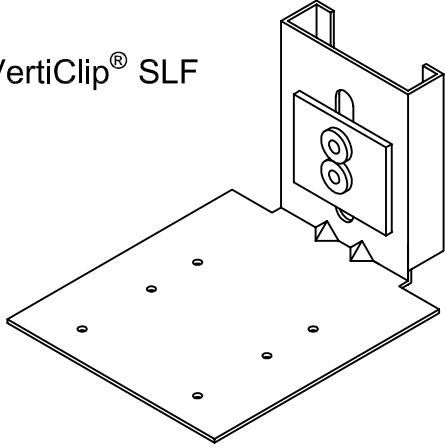
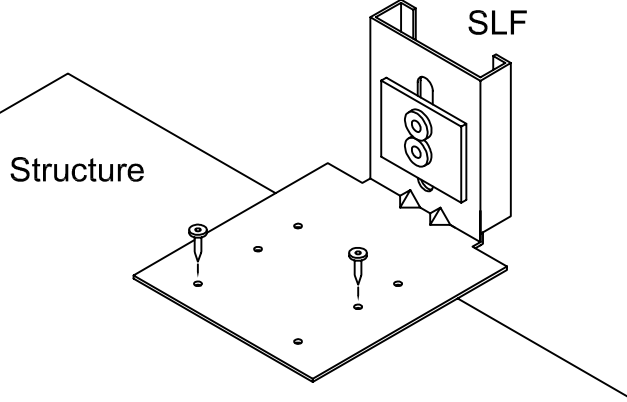
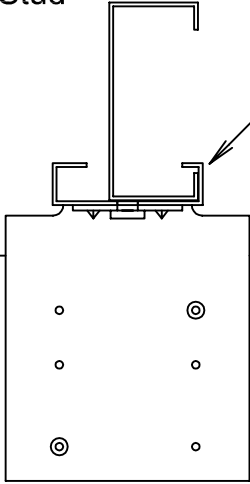
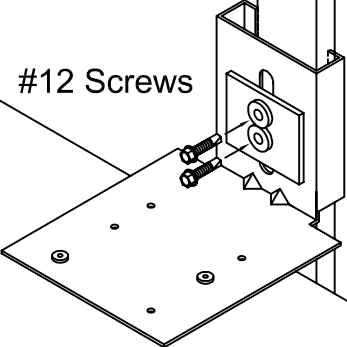
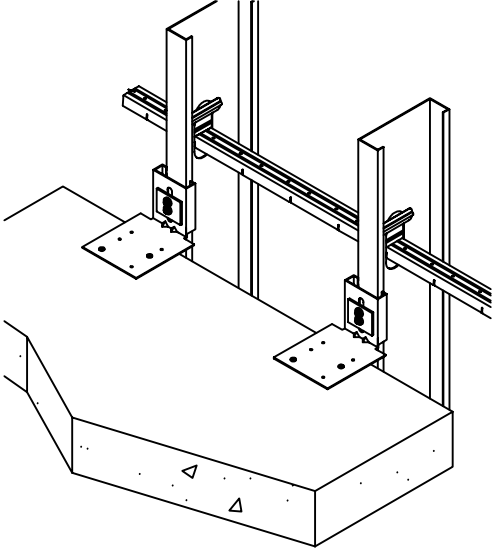


VertiClip® SLF Installation Instructions

Vertical Deflection @ Bypass Slab



| | | |
|---|---|---|
|  <p>VertiClip® SLF</p> <p>Step Bushings and Plate pre-installed, do not remove.</p> |  <p>Structure</p> <p>SLF</p> <p>Attach to structure with specified fasteners.</p> |  <p>Stud</p> <p>Fully Seated</p> <p>Ensure that the stud's return bend is fully seated in the clip.</p> |
| <p>Fasten SLF to stud flange with provided screws through step bushings.</p> <p>Install screws using a screw gun that does not exceed 2,500 rpm.</p>  <p>#12 Screws</p> <p>Stud</p> <p>Screw gun must be equipped with torque limiting clutch to avoid fastener overdrive.</p> |  <p>Install bridging within 12" of VertiClip® SLF.</p> | <p>For Installation, Technical, or Submittal questions, contact TSN at (888) 474-4876.</p> <p>Email us at support@steelnetwork.com</p> <p>Visit www.steelnetwork.com and discover the value of each TSN Solution.</p> |