

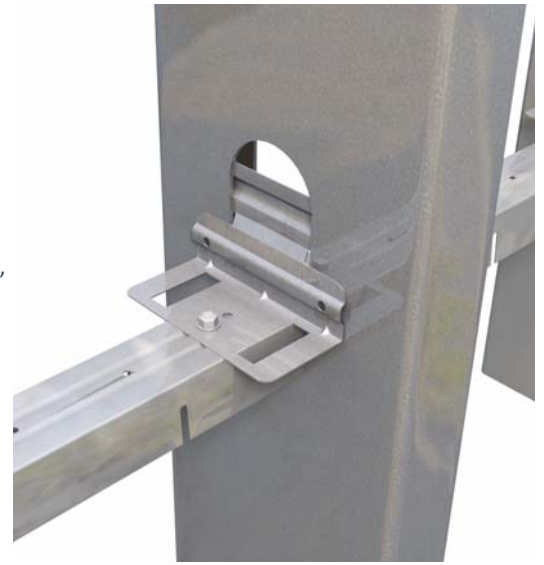
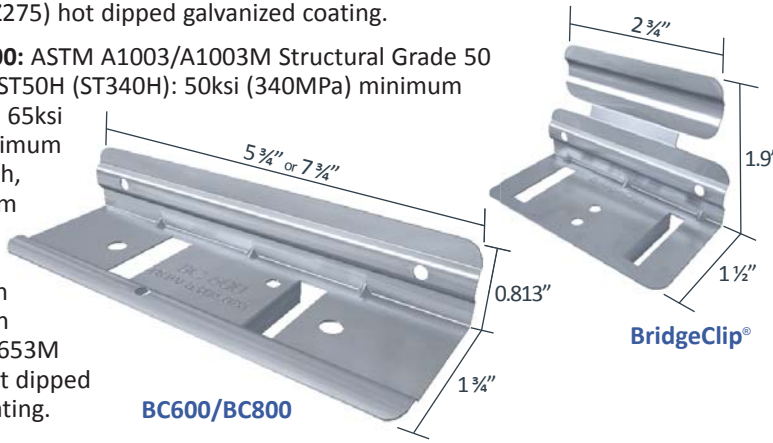
BridgeClip®

Secures Channel to Stud

Material Composition

BridgeClip: ASTM A1003/A1003M Structural Grade 50 (340) Type H, ST50H (ST340H): 50ksi (340MPa) minimum yield strength, 65ksi (450MPa) minimum tensile strength, 33mil minimum thickness (20 gauge, 0.0346" design thickness) with ASTM A653/A653M G90 (Z275) hot dipped galvanized coating.

BC600 & BC800: ASTM A1003/A1003M Structural Grade 50 (340) Type H, ST50H (ST340H): 50ksi (340MPa) minimum yield strength, 65ksi (450MPa) minimum tensile strength, 43mil minimum thickness (18 gauge, 0.0451" design thickness) with ASTM A653/A653M G90 (Z275) hot dipped galvanized coating.

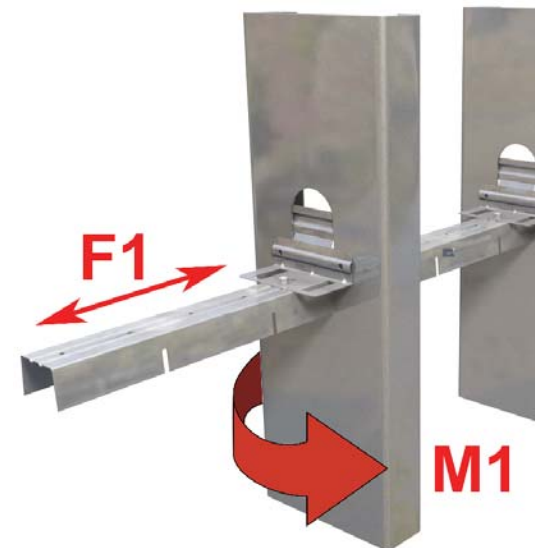


BridgeClip Allowable Loads

BridgeClip	Stud Depth	Stud Thickness (mils) (ga)	Axially Loaded Stud, Allowable Brace Strength F1 (lbs)	Laterally Loaded Stud, Allowable Torsional Moment M1 (in.lbs)
BridgeClip BC1	3.625	33 (20)	75	132
		43 (18)		143
		54 (16)		156
BridgeClip BC3	3.625	33 (20)	360	192
		43 (18)		221
		54 (16)		252
BridgeClip BC1	6	33 (20)	75	192
		43 (18)		252
		54 (16)		264
		68 (14)		307
		97 (12)		396
BridgeClip BC3	6	33 (20)	360	228
		43 (18)		254
		54 (16)		288
		68 (14)		347
		97 (12)		468
BC600	6	33 (20)	170	684
		43 (18)	218	792
		54 (16)	360	864
		68 (14)	887	
		97 (12)	936	
BridgeClip BC1	8	33 (20)	75	144
		43 (18)		213
		54 (16)		288
BridgeClip BC3	8	33 (20)	360	240
		43 (18)		280
		54 (16)		324
BC800	8	33 (20)	170	756
		43 (18)	218	790
		54 (16)	360	828
		68 (14)	851	
		97 (12)	900	

Load Direction

US Patent #5,904,023



Nomenclature

BridgeClip is recommended for 3 5/8", 6" and 8" wall studs.

Table Notes:

- Listed ASD allowable loads are based on ultimate test data divided by a factor of safety.
- Listed ASD allowable loads are limited by screw shear or pullout at stud web.

Table Nomenclature

BC1 - BridgeClip with (1) #10 screw fastener into bridging member

BC3 - BridgeClip with (1) #10 screw fastener into bridging member and (2) #10 screw fasteners into the web of the stud

BC600 - BridgeClip BC600 with (2) #10 screw fasteners into bridging member and (2) #10 screw fasteners into the web of the stud

BC800 - BridgeClip BC800 with (2) #10 screw fasteners into bridging member and (2) #10 screw fasteners into the web of the stud