

BOARD OF
BUILDING AND SAFETY
COMMISSIONERS

MARSHA L. BROWN
PRESIDENT

HELENA JUBANY
VICE-PRESIDENT

VAN AMBATIELOS
VICTOR H. CUEVAS
ELENORE A. WILLIAMS

CITY OF LOS ANGELES
CALIFORNIA



ANTONIO R. VILLARAIGOSA
MAYOR

DEPARTMENT OF
BUILDING AND SAFETY
201 NORTH FIGUEROA STREET
LOS ANGELES, CA 90012

ROBERT R. "BUD" OVROM
GENERAL MANAGER

RAYMOND S. CHAN, C.E., S.E.
EXECUTIVE OFFICER

The Steel Network, Inc.
2012 T.W. Alexander Dr.
P.O. Box 13887
Durham, NC 27709

Attn: Gary Bennett or
Kristy Andrews
(919) 845-1025

RESEARCH REPORT: RR 25631
(CSI # 05 40 00, 05 05 23)

BASED UPON ICC EVALUATION SERVICE
REPORT NO. ESR-1903

REEVALUATION DUE
DATE: February 1, 2014
Issued Date: January 1, 2012.
Code: 2011 LABC

GENERAL APPROVAL –Reevaluation - Verticlip SL, SLB, SLS, AND SLT Exterior Curtain-Wall Steel Stud Connectors, and the Verticlip SLD Interior Head-of-Wall Steel Stud Connector.

DETAILS

The above assemblies and/or products are approved when in compliance with the description, use, identification and findings of Report No. ESR-1903, reissued June 1, 2011 of the ICC Evaluation Service, Incorporated. The report, in its entirety, is attached and made part of this general approval.

The parts of Report No. ESR-1903 marked by asterisks are modified by the Los Angeles Building Department from this approval.

The approval is subject to the following conditions:

1. Cross section, support details and connection details of each stud or joist shall be shown on plans to be reviewed by Structural Plan Check of the Department. The plans shall bear the signature of a Civil or Structural Engineer registered in California.
2. Where exposed to the weather the connectors shall be galvanized.
3. Product shall be install according to Section 4.2 of ESR-1903.
4. Wall assembly design wall shall comply with Section 2210.6 of the 2011 Los Angeles City Building Code.
5. Screws shall be in compliance with LARR.

RR 25631
Page 1 of 2

The Steel Network Inc.

Re: Verticlip SL, SLB, SLS, AND SLT Exterior Curtain-Wall Steel Stud Connectors, and the Verticlip SLD Interior Head-of-Wall Steel Stud Connector.

6. Products shall be installed in accordance with this report.

DISCUSSION

The report is in compliance with the 2011 Los Angeles City Building Code.

The approval was based on test data complying with AC-261.

This general approval will remain effective provided the Evaluation Report is maintained valid and unrevised with the issuing organization. Any revisions to the report must be submitted to this Department, with appropriate fee, for review in order to continue the approval of the revised report.

This general approval of an equivalent alternate to the Code is only valid where an engineer and/or inspector of this Department has determined that all conditions of this approval have been met in the project in which it is to be used.

Addressee to whom this Research Report is issued is responsible for providing copies of it, complete with any attachments indicated, to architects, engineers and builders using items approved herein in design or construction which must be approved by Department of Building and Safety Engineers and Inspectors.



WILLIAM STUTSMAN, Chief
Engineering Research Section
201 N. Figueroa St., Room 880
Los Angeles, CA 90012
Phone- 213-202-9812
Fax- 213-202-9943

KH:kh
RR25631/MSWord2007
R01/11/12
2F3/2C/2210

Attachment: ICC-ES Evaluation Report No. ESR-1903 (4 Pages)

ICC-ES Evaluation Report

ESR-1903

Reissued November 1, 2012

This report is subject to renewal November 1, 2013.

www.icc-es.org | (800) 423-6587 | (562) 699-0543

A Subsidiary of the International Code Council®

DIVISION: 05 00 00—METALS

Section: 05 05 23—Metal Fastenings

Section: 05 40 00—Cold-formed Metal Framing

DIVISION: 09 00 00—FINISHES

Section: 09 22 16.13—Non-Structural Metal Stud Framing

REPORT HOLDER:

THE STEEL NETWORK, INC.
2012 TW ALEXANDER DRIVE
POST OFFICE BOX 13887
DURHAM, NORTH CAROLINA 27709
(919) 845-1025
www.steelnetwork.com
technicalsupport@steelnetwork.com

EVALUATION SUBJECT:

VERTICLIP® SL, SLB, SLS, AND SLT EXTERIOR CURTAIN-WALL STEEL STUD CONNECTORS, AND THE VERTICLIP® SLD INTERIOR HEAD-OF-WALL STEEL STUD CONNECTOR

1.0 EVALUATION SCOPE**Compliance with the following codes:**2009 and 2006 *International Building Code*® (IBC)**Property evaluated:**

Structural

2.0 USES**2.1 VertiClip® Curtain Wall Connectors:**

VertiClip® SL, SLB, SLS, and SLT cold-formed steel connectors are used to attach the steel studs of a building's exterior curtain wall to structural members, and are designed to transfer wind or earthquake loads acting perpendicular to the exterior curtain wall and to accommodate vertical movement between exterior wall elements and the primary structure.

2.2 VertiClip® Top-of-wall Connector:

The VertiClip® SLD cold-formed steel connector is used to attach the top of interior nonload-bearing steel studs (top-of-wall connection) to the building's structural floor/ceiling or roof/ceiling deck, and is designed to transfer loads acting perpendicular to the interior nonload-bearing wall and to accommodate vertical movement of the building's floor/ceiling or roof/ceiling deck.

3.0 DESCRIPTION**3.1 VertiClip® SL, SLB, SLS, and SLT Exterior Curtain Wall Stud Connectors:**

3.1.1 General: VertiClip model numbers correspond to the depth of the cold-formed steel stud attached to the VertiClip; e.g., a VertiClip connector with a model number 362 is designed to be attached to a 3⁵/₈-inch-deep (92 mm) steel stud, where the depth of the steel stud is rounded to 3.62 and is reported as 362. Each VertiClip exterior curtain wall stud connector has two or more vertical slots with factory-installed bushings located in the center of each slot, through which a #12 self-drilling, tapping steel screw is installed to attach the clip to the stud, allowing horizontal loads to be transferred from the stud web to the supporting structure while allowing vertical movement of the structure with negligible friction. The Steel Network, Inc., supplies the required number of screws with each clip for attachment to steel studs. Fasteners used to attach the clips to the supporting structure must be designed and specified by a registered design professional.

3.1.2 VertiClip® SL: VertiClip SL362, 600 and 800 are L-shaped angles that connect 3⁵/₈-, 6- and 8-inch-deep (92, 152, and 203 mm) exterior curtain wall steel studs, respectively, at head of wall to the building's structural frame while allowing for a maximum of 1¹/₂ inches (38.1 mm) of vertical movement between exterior wall elements and the primary structure. The minimum base-metal thickness of the clips is 0.0677 inch (1.7 mm). The long leg of the VertiClip SL362 connector, which is fastened to the curtain wall stud, has two vertical slots, each ³/₈ inch (9.5 mm) wide by 1³/₄ inches (44.5 mm) long. The long leg of the VertiClip SL600 and SL800 connectors has two or three vertical slots, each ³/₈ inch (9.5 mm) wide by 1⁷/₈ inches (47.6 mm) long. Refer to Figure 1 for overall dimensions of each VertiClip SL connector and a typical installation detail.

3.1.3 VertiClip® SLB: The VertiClip SLB600 is an L-shaped angle that connects 6-inch-deep (152 mm) exterior curtain wall steel studs to a concrete floor slab's pour stop angle while allowing a maximum of 2 inches (51 mm) of vertical movement between exterior wall elements and the primary structure. The minimum base-metal thickness of the clip is 0.0677 inch (1.7 mm). The long leg of the connector, which is fastened to the curtain wall stud, has three vertical slots, each ³/₈ inch (9.5 mm) wide by 2³/₈ inches (60.3 mm) long. Refer to Figure 2 for overall dimensions of the VertiClip SLB600 connector and a typical installation detail.

3.1.4 VertiClip® SLS: The VertiClip SLS600–12 is an L-shaped angle that connects 6-inch-deep (152 mm) exterior curtain walls to a building's structural steel spandrel beam or structural concrete floor slab, while allowing for a maximum of 1½ inches (38 mm) of vertical movement between exterior wall elements and the primary structure. The minimum base-metal thickness of the clip is 0.0677 inch (1.7 mm). The designation –12 following the model number SLS600 represents the total length, in inches, of the connector. The end of the connector that is attached to the curtain wall framing members has two or three vertical slots, each ¾ inch (9.5 mm) wide by 1⅞ inches (47.6 mm) long. Refer to Figure 3 for overall dimensions of the VertiClip SLS600–12 connector and a typical installation detail.

3.1.5 VertiClip® SLT: VertiClip SLT–9.5 and SLT(L)–18 are formed steel plates having one upward and one downward vertical leg at the end of the connectors that attach to the curtain wall framing members. The minimum base-metal thickness of the plates is 0.0966 inch (2.5 mm). Each leg of the SLT–9.5 is 1½ inches (38 mm) wide by 2¼ inches (57 mm) high, and has one vertical slot measuring 5/16 inch (8 mm) wide by 1⅜ inches (35 mm) long, allowing for a maximum 1-inch (25.4 mm) vertical movement of the framing members. Each leg of the SLT(L)–18 is 2⅜ inches (71 mm) wide by 3⅞ inches (79 mm) high, and has two vertical slots measuring ¾ inch (9.5 mm) wide by 2¼ inches (57 mm) long, allowing for a maximum of 1⅞ inches (47.6 mm) of vertical movement between exterior wall elements and the primary structure. The bend in the steel plate at the vertical legs of the SLT(L)–18 is reinforced with two ⅜-inch-by-5/8-inch (9.5 mm by 15.9 mm) L-shaped steel angles that are factory-attached with four 3/16-inch-diameter (4.8 mm) rivets. The angle reinforcement is 4⅜ inches (111 mm) long and has a minimum base-metal thickness of 0.0677 inch (1.7 mm). Refer to Figure 4 for overall dimensions of the VertiClip SLT–9.5 and SLT(L)–18 connectors and a typical installation detail.

3.2 VertiClip® SLD Interior Wall Stud Connector:

The VertiClip SLD600 is an L-shaped angle that connects the top end of 6-inch-deep (152 mm) interior wall steel studs to a metal deck above, while allowing for a maximum 1½-inch (38 mm) vertical movement. The minimum base-metal thickness of the clip is 0.0329 inch (0.8 mm). The long leg of the VertiClip SLD600 connector, which is fastened to the web of the interior wall steel stud, has two vertical slots, each ¾ inch (9.5 mm) wide by 1⅞ inches (47.6 mm) long. Each vertical slot has a factory-installed bushing located in the center of the slot, through which a #8–18×¾ self-drilling, tapping steel screw is installed to attach the clip to the stud, allowing horizontal loads to be transferred from the stud web to the supporting structure while permitting for vertical movement of the structure with negligible friction. The Steel Network, Inc., supplies the required number of steel screws with each clip for attaching it to the steel studs. Refer to Figure 5 for overall dimensions of the VertiClip SLD600 connector and a typical installation detail.

3.3 Materials:

3.3.1 VertiClips: The VertiClip connectors described in this report are manufactured from ASTM A 653 SS, Grade 50, Class 1 steel. There is a minimum G90 zinc-coating designation for VertiClip® SL, SLB, SLS, and SLT Exterior Curtain Wall Stud Connectors, and a minimum G60 zinc-coating designation for the VertiClip® SLD600 Interior Wall Stud Connector.

3.3.2 Bushings: The bushings are factory-installed on each VertiClip product, and are not available separately for field installation. The bushings are proprietary, and are fabricated from carbon steel conforming to ASTM B 783-04, Class 3, having a minimum specified yield strength of 35 ksi (240 MPa), as stipulated in the approved quality documentation.

3.3.3 Screws: Screws used with VertiClip series must be self-drilling, tapping steel screws, as follows:

- The #8 self-drilling, tapping metal screws used with the VertiClip SLD600 must have a minimum nominal screw shear strength, P_{ss} , of 1.34 kips (5960 N).
- The #12 self-drilling, tapping metal screws used with the VertiClip SLS600–12, SLB600, SL362, SL600, SL800, SLT–9.5 and SLT(L)–18 must have a minimum nominal screw shear strength, P_{ss} , of 2.21 kips (9830 N).

3.3.4 Cold-formed Steel Studs: The design loads specified in this evaluation report are based on the assumption that the connected steel studs have a minimum base-metal thickness of 0.097 inch (2.5 mm) and are fabricated from cold-formed steel complying with ASTM A653 Grade 50 (340), with minimum specified yield and tensile strengths of 50 ksi (340 MPa) and 65 ksi (450 MPa), respectively.

4.0 DESIGN AND INSTALLATION

4.1 Design:

Table 1 of this report presents the following design information: (1) The calculated safety factor, Ω , and resistance factor, ϕ , as derived in accordance with the AISI S100-07 under the 2009 IBC or NAS-01, including the 2004 Supplement under the 2006 IBC, (2) the average test load at 1/8-inch (3.2 mm) deflection service limit; (3) the Allowable Strength Design (ASD) loads for the VertiClip products described in this report; and (4) the Load and Resistance Factor Design (LRFD) design strength for the VertiClip products described in this report. Refer to Figures 1 through 5 for the direction of load listed in Table 1.

The connection of the VertiClip product to the supporting structure must have a design load or factored resistance not less than the allowable load or design strength assigned to the VertiClip products in Table 1 of this report. The design of the connection must be submitted to the code official for approval.

When using the alternate basic load combinations in IBC Section 1605.3.2 that include wind or earthquake loads, the ASD allowable loads in Table 1 for the VertiClip connectors must not be increased by 33⅓ percent, nor must the alternative basic load combinations be reduced by a factor of 0.75. When using the basic load combinations in accordance with IBC Section 1605.2.1, the LRFD nominal strength in Table 1 for the VertiClip connectors must not be increased for wind or earthquake loading.

If the steel studs connected to VertiClip connectors have lower base-metal thickness or material strength values than specified in Section 3.3.4, the ASD allowable loads or the LRFD design strength of the steel-stud/VertiClip-screw connection may be calculated according to the AISI cold-formed steel specification referenced by the applicable code as stated herein but not to exceed the corresponding loads listed in Table 1.

4.2 Installation:

Installation of the VertiClip products must comply with this report and the manufacturer's published installation instructions.

5.0 CONDITIONS OF USE

The VertiClip products described in this report comply with, or are suitable alternatives to what is specified in, those codes listed in Section 1.0 of this report, subject to the following conditions:

- 5.1 Drawings and design details verifying compliance with this report must be submitted to the building official for approval. The drawings and calculations must be prepared by a registered design professional when required by the statutes of the jurisdiction in which the project is to be constructed.
- 5.2 The products must be identified in accordance with this report.
- 5.3 The products must be installed in accordance with this report and the manufacturer’s published installation instructions.

6.0 EVIDENCE SUBMITTED

Data in accordance with the ICC-ES Acceptance Criteria for Connectors Used with Cold-formed Steel Structural Members (AC261), dated December 2010.

7.0 IDENTIFICATION

The VertiClip products described in this report must be stamped, labeled, or inked with the product designation and the company name (The Steel Network, Inc.). Each box label must include the company name (The Steel Network, Inc.), product designation/part name, quantity, the ICC-ES evaluation report number (ESR-1903), and a traveler (tracing) number.

TABLE 1—VERTICLIP ALLOWABLE STRESS DESIGN (ASD) LOADS, LOAD AND RESISTANCE FACTOR DESIGN (LRFD) NOMINAL STRENGTH, AND DEFLECTION SERVICE LIMIT LOADS¹

VERTICLIP MODEL	SCREWS ² (NUMBER) AND SIZE	ASD ALLOWABLE LOAD ³ (lbf)	LRFD DESIGN STRENGTH ⁴ (lbf)	SERVICE LIMIT LOAD ⁵ (lbf)
SL362	(2) #12	790	1,700	790
SL600	(3) #12	1,680	2,690	3,440
SL800	(3) #12	1,870	2,990	4,570
SLB600	(3) #12	1,600	2,560	1,680
SLS600-12	(3) #12	2,070	3,315	3,240
SLT-9.5	(2) #12	510	820	1,280
SLT(L)-18	(4) #12	700	1,120	1,440
SLD600	(2) #8	405	650	1,170

For **Sl**: 1 lbf = 4.45 N.

¹Refer to Figures 1 through 5 for direction of load.

²Screws must comply with Section 3.3.3 of this report, and must be installed in the prepunched holes and bushings provided in the connectors.

³When using the alternate basic load combinations in IBC Section 1605.3.2 that include wind or earthquake loads, the tabulated ASD allowable loads for the VertiClip connectors must not be increased by 33¹/₃ percent, nor can the alternative basic load combinations be reduced by a factor of 0.75.

⁴When using the basic load combinations in accordance with IBC Section 1605.2.1, the tabulated LRFD nominal strength for the VertiClip connectors must not be increased for wind or earthquake loading.

⁵The Service Limit Load is the average test load at a 1/8-inch deflection limit. The service limit is applicable to both ASD and LRFD.

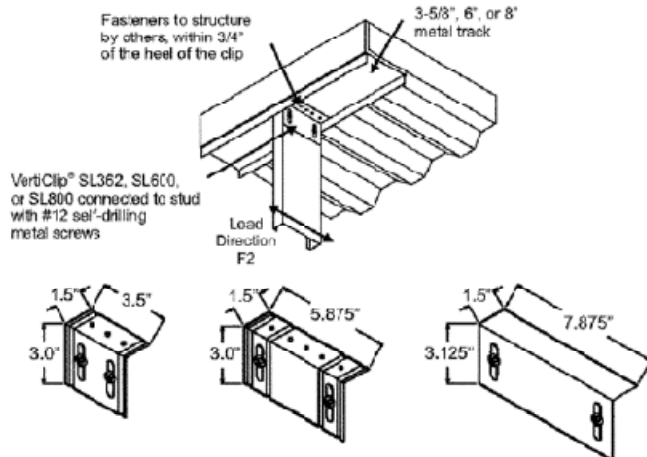


FIGURE 1 - VERTICLIP SL362, SL600, and SL800

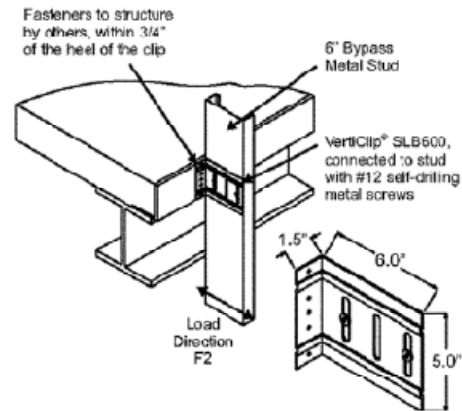


FIGURE 2 - VERTICLIP SLB600

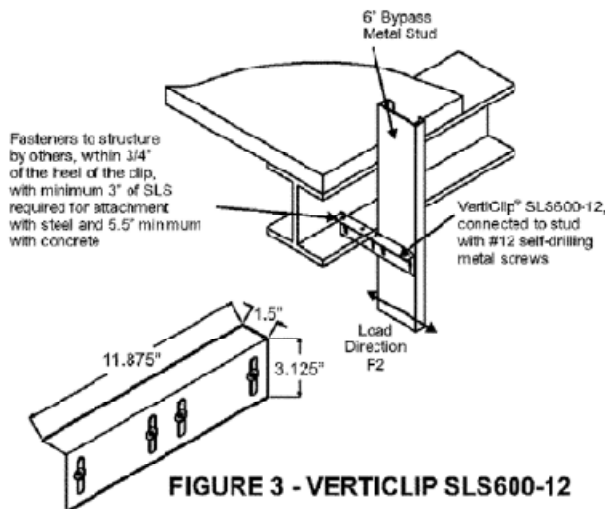


FIGURE 3 - VERTICLIP SLS600-12

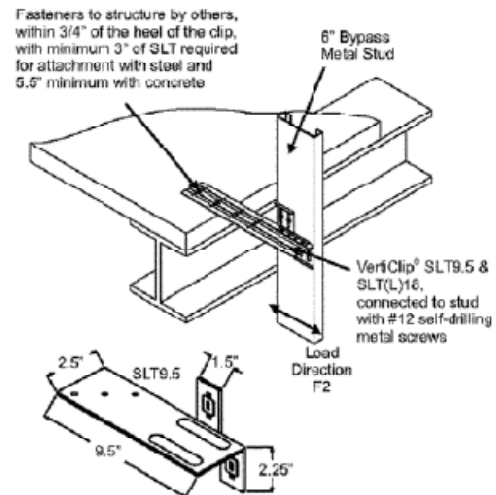


FIGURE 4 - VERTICLIP SLT-9.5 AND SLT(L)18

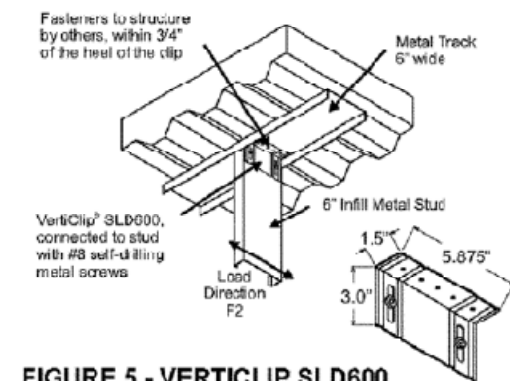


FIGURE 5 - VERTICLIP SLD600

