

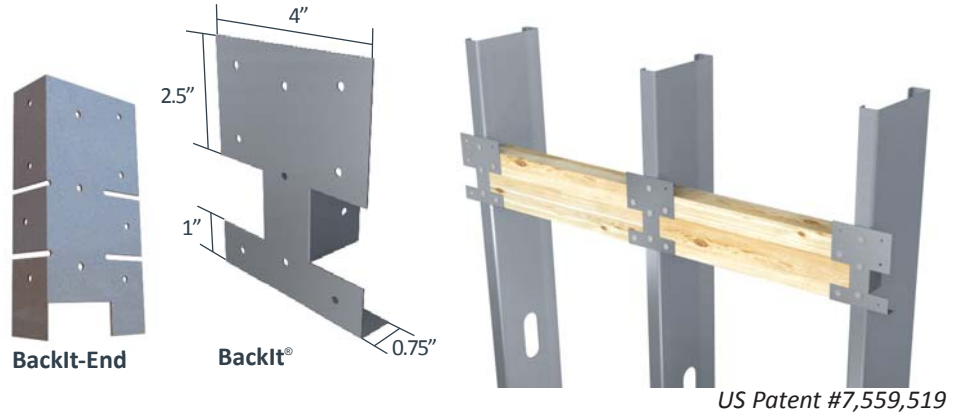
# BackIt®

Rigid Wall Backing



### Material Composition

ASTM A1003/A1003M Structural Grade 50 (340) Type H, ST50H (ST340H): 50ksi (340MPa) minimum yield strength, 65ksi (450MPa) minimum tensile strength, 43mil minimum thickness (18 gauge, 0.0451" design thickness) with ASTM A653/A653M G60 (Z180) hot dipped galvanized coating.



### BackIt Allowable Loads

BackIt®, Recommended Allowable Load (lbs) (in-lbs or in-lbs/rad): F2 & F3 & M1							
Stud		F2 Load Direction (lbs)		F3 Load Direction (lbs)		M1 Load Direction	
Thickness Mils (ga)	Yield Strength (ksi)	w/2 #12 screws	w/3 #12 screws	w/2 #12 screws	w/3 #12 screws	Moment	Stiffness
						w/3 #12 screws	up to 0.02 rad
18 (25)	33	--	155*	151	--	272	16,800
27 (22)	33	--	234	279	418	409	
30 (20dw)	33	--	258	322	483	451	
33 (20)	33	--	286	377	565	500	
33 (20)	50	275	391	544	817	722	
43 (18)	33	248	373	561	841	652	
43 (18)	50	359	391	810	1,215	942	
54 (16)	33	312	391	789	1,183	818	
54 (16), 68 (14) & 97 (12)	50	391	391	1,139	1,388	967	
<b>Maximum Allowable Clip Load</b>		<b>391</b>		<b>1,388</b>		<b>967</b>	

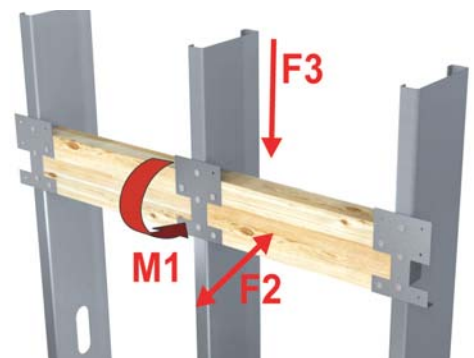
### Notes:

- The recommended allowable loads and moments reported in this table are for the clip and attachment to the stud only. The attachment to the backing material must be designed by a design professional.

\* Additional screws may be added to increase the allowable load. F2 value with (4) #12 screws is 207 lbs.

IBC (International Building Code) and OSHA (Occupational Safety and Health Administration) load requirements include the ability of wall backing to resist a minimum of 200 lbs of concentrated load, or 50 lbs per linear foot in any direction. BackIt satisfies the load requirements in vertical (F3) and horizontal (F2) directions. Extra testing has been done in the rotational (M1) direction. Product test reports are available upon request. Contact TSN Technical Support at (888) 474-4876 for more information.

### Load Direction



### Nomenclature

BackIt is designed to be used with studs having flanges up to 1 5/8" wide\*, and is designated BackIt®.

\* Custom clips are available by request for use with studs having flanges greater than 1-5/8"

\*\*Also Available by Request: End-of-Run BackIt® to finish walls with a flat angle

### Screw Patterns

