

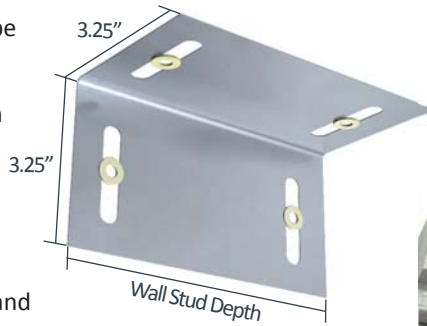
# DriftClip® DSLD

Interior Head of Wall

### Material Composition

ASTM A1003/A1003M Structural Grade 50 (340) Type H, ST50H (ST340H): 50ksi (340MPa) minimum yield strength, 65ksi (450MPa) minimum tensile strength, 33mil minimum thickness (20 gauge, 0.0346" design thickness) with ASTM A653/A653M G60 (Z180) hot dipped galvanized coating.

The attachment of DriftClip DSLD to the primary structure utilizes step bushings designed for #8 (0.164") screws. Designing this connection is the responsibility of the Structural Engineer of Record, and a minimum of two fasteners must be used.



US Patents #6,612,087 & #7,104,024

### DriftClip DSLD Allowable (Unfactored) Loads<sup>1</sup>

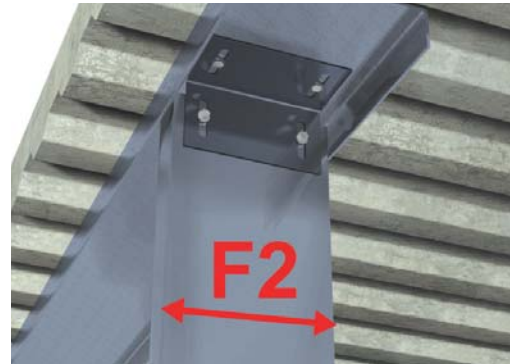
DriftClip® DSLD, Recommended Allowable Load (lbs): F2							
Stud		Fastener Pattern 1			Fastener Pattern 2		
Thickness Mils (ga)	Yield Strength (ksi)	DSL362 w/2 #8 Screws	DSL600 w/2 #8 Screws	DSL800 w/2 #8 Screws	DSL362 w/2 #8 Screws	DSL600 w/2 #8 Screws	DSL800 w/2 #8 Screws
18 (25)	33	70	132	132	27	107	132
27 (22)	33	70	178	199	27	107	183
33 (20)	33	70	178	199	27	107	183
33 (20)	50	70	178	199	27	107	183
43 (18)	33	70	178	199	27	107	183
43 (18)	50	70	178	199	27	107	183
54 (16)	33	70	178	199	27	107	183
54 (16)	50	70	178	199	27	107	183
<b>Maximum Allowable Clip Load</b>		<b>70</b>	<b>178</b>	<b>199</b>	<b>27</b>	<b>107</b>	<b>183</b>

### Notes:

- Design loads are for attachment of DriftClip DSLD to stud only. Load tables reflect horizontal loads (F2).
- Attachment to structure engineered by others.
- Allowable loads have not been increased for wind, seismic, or other factors.
- Two (2) #8 screws are provided with each DriftClip DSLD for attachment to stud.
- DriftClip DSLD allows up to 2" of vertical deflection (1" up and 1" down), and 2" lateral drift (1" left and 1" right in plane). Deflection requirements greater than 2" lateral drift are available.

<sup>1</sup> For LRFD Design Strengths refer to ICC-ESR-2049.

### Load Direction



### Nomenclature

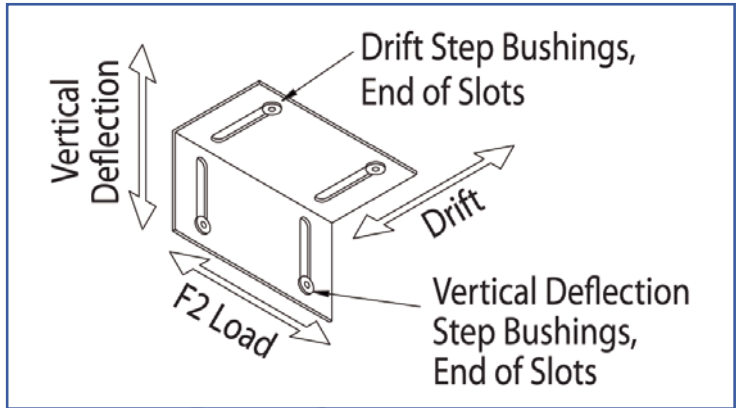
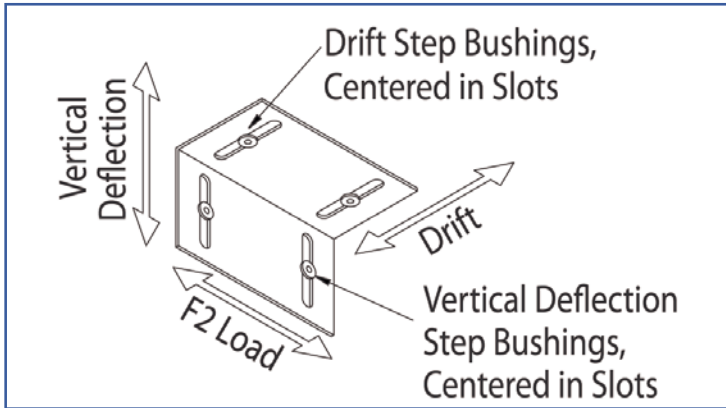
DriftClip DSLD is classified by multiplying stud depth by 100.

**Example:** 6" stud depth

**Designate:** DriftClip® DSLD600

\* Three screws & step bushings are available in 6" sizes and higher. Specify that 3 slots are needed when placing order.

**Fastener Patterns**



**Fastener Pattern 1** replicates a condition of out-of-plane wind or seismic force with no vertical live load deflection or in-plane drift.

**Fastener Pattern 2** replicates a condition of out-of-plane wind or seismic force with full vertical live load deflection and full in-plane drift.



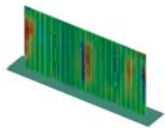
UL2079 Head of Wall Assemblies



DriftClip DSLD  
ICC-ESR-2049  
www.icc-es.org



DriftClip DSLD Series  
LARR #25781  
www.ladbs.org



DriftClip DSLD Series  
Blast and Seismic Design data  
www.steelnetwork.com

\*\* For more information or to review a copy of each of these reports, please visit our website at <http://www.steelnetwork.com/Site/TechnicalData>