

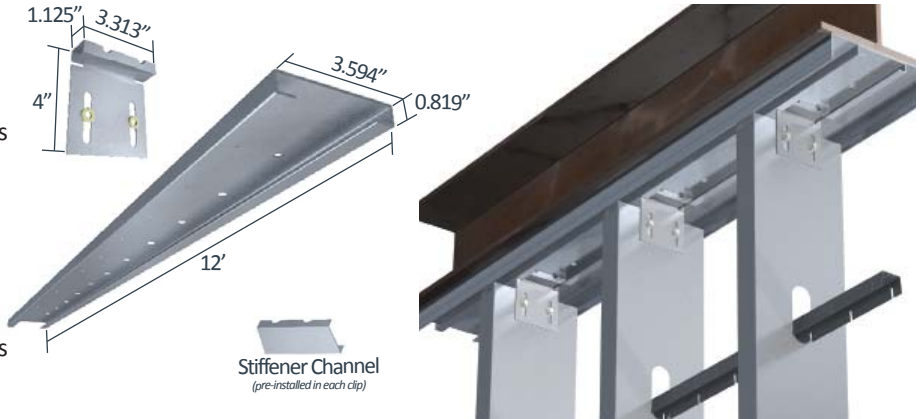
DriftTrak® DTSL

Exterior Head of Wall

Material Composition

Clip Material: ASTM A1003/A1003M Structural Grade 50 (340) Type H, ST50H (ST340H): 50ksi (340MPa) minimum yield strength, 65ksi (450MPa) minimum tensile strength, 68mil minimum thickness (14 gauge, 0.0713" design thickness) with ASTM A653/A653M G90 (Z275) hot dipped galvanized coating.

Track Material: ASTM A1003/A1003M Structural Grade 50 (340) Type H, ST50H (ST340H): 50ksi (340MPa) minimum yield strength, 65ksi (450MPa) minimum tensile strength, 97mil minimum thickness (12 gauge, 0.1017" design thickness) with ASTM A653/A653M G60 (Z180) hot dipped galvanized coating.



US Patents #7,503,150 & #7,104,024

DriftTrak DTSL Allowable (Unfactored) Loads¹

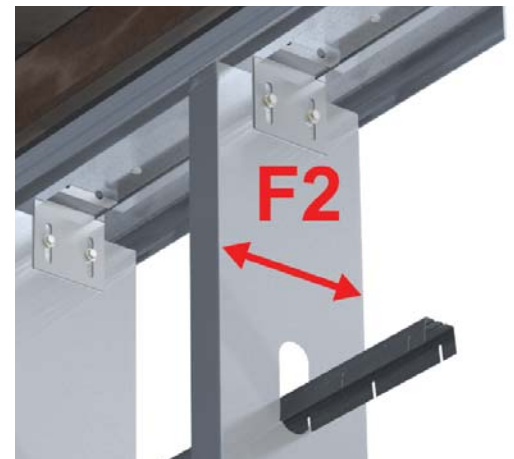
DriftTrak® DTSL, Recommended Allowable Load (lbs): F2					
Stud		8" Fastener Spacing in Track to Structure (or welded on both sides)		16" Fastener Spacing in Track to Structure (or welded on both sides)	
		Fastener Pattern 1	Fastener Pattern 2	Fastener Pattern 1	Fastener Pattern 2
Thickness Mils (ga)	Yield Strength (ksi)	w/2 #12 Screws	w/2 #12 Screws	w/2 #12 Screws	w/2 #12 Screws
33 (20)	33	377	377	377	377
33 (20)	50	544	482	544	449
43 (18)	33	561	482	561	449
43 (18)	50	625	482	694	449
54 (16)	33	625	482	694	449
54 (16)	50	625	482	694	449
68 (14)	50	625	482	694	449
97 (12)	50	625	482	694	449
Maximum Allowable Clip Load		625	482	694	449

Notes:

- Design loads are for attachment of DriftTrak DTSL to stud only. Load tables reflect horizontal loads (F2).
- Attachment to structure engineered by others.
- Allowable loads have not been increased for wind, seismic, or other factors.
- Two (2) #12 screws are provided with each DriftTrak DTSL for attachment to stud.
- Clips are manufactured to fit into the DriftTrak and provide up to 2" of vertical deflection (1" up and 1" down), and free lateral movement of the structure.
- Allow a minimum of 0.875" from the structure to the top of the stud to allow for the attachment of DriftTrak inside the standard track.
- One row of bridging is recommended at a maximum distance of 12" from DriftTrak to resist torsional effects.
- DriftTrak DTSL does not provide wall closure. A top track will be required for closure of the wall assembly.

¹ For LRFD Design Strengths refer to ICC-ESR-2049.

Load Direction



Nomenclature

DriftTrak DTSL is available in one size for all stud depths over 3 5/8".

Example: 6" stud depth

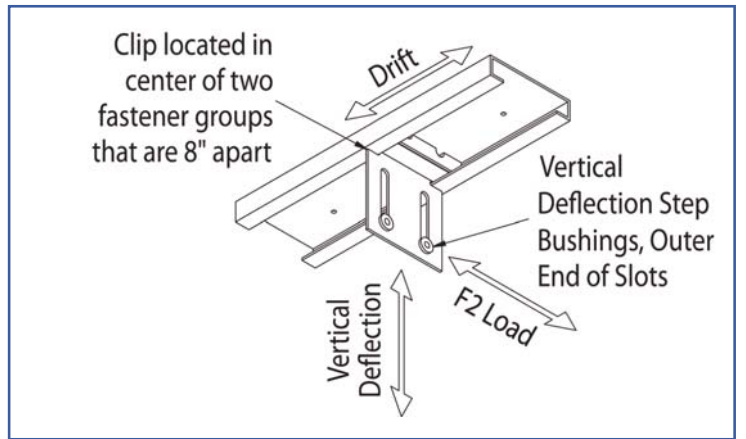
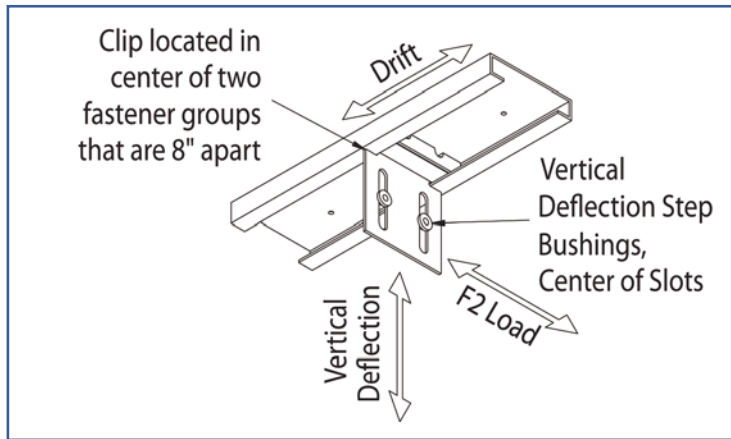
Designate: DriftTrak® DTSL

* DriftTrak is available in 12' lengths, and is designated: DriftTrak®

** A top track is required for closure of the wall assembly.

*** Clips and track sold separately.

Fastener Patterns



Fastener Pattern 1 replicates a condition of out-of-plane wind or seismic force with no vertical live load deflection and full in-plane drift.

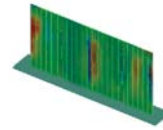
Fastener Pattern 2 replicates a condition of out-of-plane wind or seismic force with full vertical live load deflection and full in-plane drift.



DriftTrak DTSL
ICC-ESR-2049
www.icc-es.org



DriftTrak DTSL Series
LARR #25781
www.ladbs.org



DriftTrak DTSL Series
Blast and Seismic Design data
www.steelnetwork.com

** For more information or to review a copy of each of these reports, please visit our website at <http://www.steelnetwork.com/Site/TechnicalData>