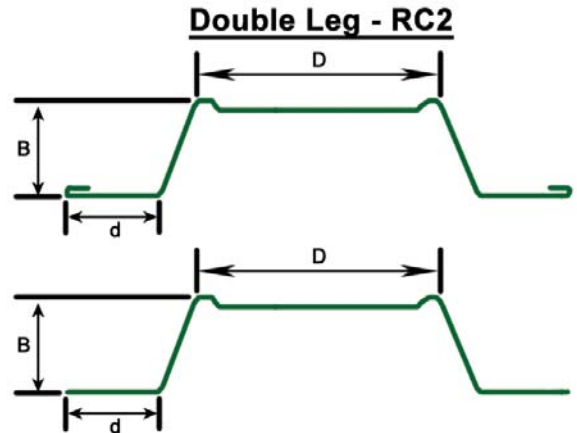
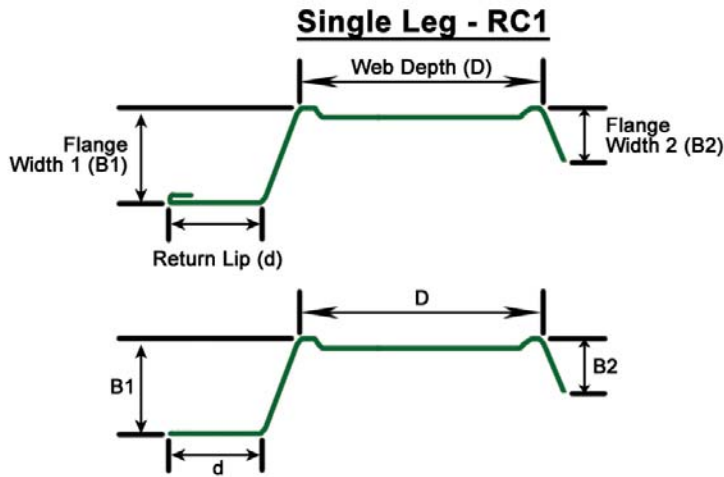


Material Composition

ASTM A1003/A 1003M Non Structural Grade 33 (230), 33 ksi (230 MPa) minimum yield strength, G40 (Z120) hot-dipped galvanized coating, or equivalent conforming to ASTM C645.



Product Profile Channel Spacing (in) o.c.									
Section	Web Depth	Flange Width	Flange Width	Return Lip	Gauge	Design Thickness	Minimum Steel Thickness	Inside Bend Radius	Weight
	(D)	(B1)	(B2)	(d)	(ga)	(t)	(tmin)	(R)	(lbs/ft)
RC1-H-18, 33 ksi	1.25	0.5	0.25	0.5	25	0.0188	0.0179	0.0313	0.170
RC1-NH-30, 33 ksi	1.25	0.5	0.25	0.5	20	0.0312	0.0296	0.0313	0.270
RC2-H-18, 33 ksi	1.25	0.5	0.5	0.5	25	0.0188	0.0179	0.0313	0.228
RC2-NH-30, 33 ksi	1.25	0.5	0.5	0.5	20	0.0312	0.0296	0.0313	0.351

Important Notes

1. 18 mil resilient channel is hemmed; 30 resilient channel is unhemmed.
2. PrimeWall Furring Channel is produced to meet or exceed ASTM C645, A653, and A1003.
3. Galvanized sheet steel meets or exceeds requirements of ASTM A924 & A1003.