

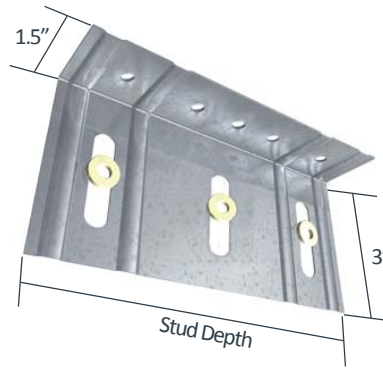
VertiClip® SL

Exterior Head of Wall

Material Composition

ASTM A1003/A1003M Structural Grade 50 (340) Type H, ST50H (ST340H): 50ksi (340MPa) minimum yield strength, 65ksi (450MPa) minimum tensile strength, 68mil minimum thickness (14 gauge, 0.0713" design thickness) with ASTM A653/A653M G90 (Z275) hot dipped galvanized coating.

The attachment of VertiClip to the primary structure may be made with PAFs, screw/bolt anchors or weld and is dependent upon the base material (steel or concrete) and the design configuration.



US Patents #5,467,566 & #5,906,080

VertiClip SL Allowable (Unfactored) Loads¹

VertiClip® SL, Recommended Allowable Load (lbs): F1										
Stud		SL362	SL400	SL600		SL800	SL1000		SL1200	
Thickness Mils (ga)	Yield Strength (ksi)	w/2 #12 screws	w/2 #12 screws	w/2 #12 screws	w/3 #12 screws	w/2 #12 screws	w/2 #12 screws	w/3 #12 screws	w/2 #12 screws	w/3 #12 screws
33 (20)	33	190	190	190	285	190	190	285	190	285
33 (20)	50	248	199	275	367	275	275	413	275	381
43 (18)	33	248	199	248	367	248	248	372	248	372
43 (18)	50	248	199	359	367	359	359	414	359	381
54 (16)	33	248	199	312	367	312	312	414	312	381
54 (16)	50	248	199	367	367	362	414	414	381	381
68 (14)	50	248	199	367	367	362	414	414	381	381
97 (12)	50	248	199	367	367	362	414	414	381	381
Maximum Allowable Clip Load		248	199	367	367	362	414	414	381	381

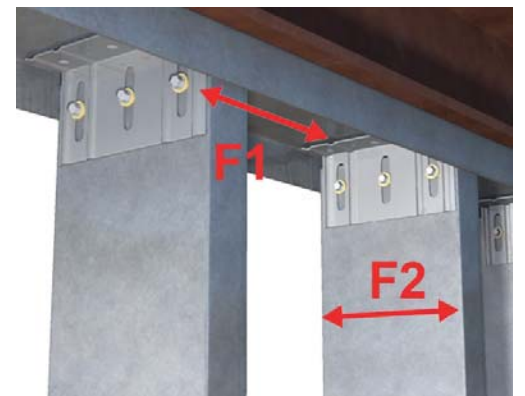
VertiClip® SL, Recommended Allowable Load (lbs): F2											
Stud		SL362	SL400	SL600		SL800	SL1000		SL1200		
Thickness Mils (ga)	Yield Strength (ksi)	w/2 #12 screws	w/2 #12 screws	w/2 #12 screws	w/3 #12 screws	w/2 #12 screws	w/3 #12 screws	w/2 #12 screws	w/3 #12 screws	w/2 #12 screws	w/3 #12 screws
33 (20)	33	377	377	377	565	377	565	377	565	377	565
33 (20)	50	544	544	544	817	544	817	544	817	544	817
43 (18)	33	561	561	561	841	561	841	561	841	561	841
43 (18)	50	790	810	810	1,215	810	1,215	810	1,215	810	1,215
54 (16)	33	789	789	789	1,183	789	1,183	789	1,183	789	1,183
54 (16)	50	790	1,136	1,139	1,680	1,139	1,709	1,139	1,577	1,139	1,709
68 (14)	50	790	1,136	1,610	1,680	1,610	1,870	1,577	1,577	1,610	1,791
97 (12)	50	790	1,136	1,680	1,680	1,698	1,870	1,577	1,577	1,698	1,791
Maximum Allowable Clip Load		790	1,136	1,680	1,680	1,870	1,870	1,577	1,577	1,791	1,791

Notes:

- Allowable load tables incorporate eccentric loading of fasteners. Values with welded connection may increase.
- Fasten within 3/4" from the angle heel (centerline of the 1 1/2" leg) to minimize eccentric load transfer.
- Guide holes for attachment to structure are 0.141" for SL362 & SL600. Guideholes are not standard in other clip sizes.
- VertiClip SL series is designed to support horizontal loads and should not be used in axial-load-bearing wall construction.
- Total vertical deflection of up to 1 1/2" (3/4" up and 3/4" down). Deflection requirements greater than 3/4" (up and down) are available.
- Allowable loads have not been increased for wind, seismic, or other factors.
- #12 screws are provided with each step bushing.
- Strengthening ribs and guide holes are present in 3 5/8" and 6" sizes.

¹ For LRFD Design Strengths refer to ICC-ESR-1903.

Load Direction



Nomenclature

VertiClip SL is designated by type (SL), followed by stud depth in inches multiplied by 100.

Example: 6" stud

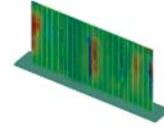
Designate: VertiClip® SL600



VertiClip SL362, SL600 & SL800
ICC-ESR-1903
www.icc-es.org



VertiClip SL Series
LARR #25631
www.ladbs.org



VertiClip SL Series
Blast and Seismic Design data
www.steelnetwork.com

** For more information or to review a copy of each of these reports, please visit our website at <http://www.steelnetwork.com/Site/TechnicalData>