

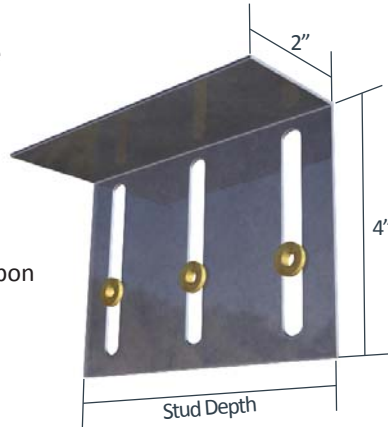
VertiClip® SL w/ 3" slots

Exterior Head of Wall

Material Composition

ASTM A1003/A1003M Structural Grade 50 (340) Type H, ST50H (ST340H): 50ksi (340MPa) minimum yield strength, 65ksi (450MPa) minimum tensile strength, 68mil minimum thickness (14 gauge, 0.0713" design thickness) with ASTM A653/A653M G90 (Z275) hot dipped galvanized coating.

The attachment of VertiClip to the primary structure may be made with a PAF or weld and is dependent upon the base material (steel or concrete) and the design configuration.



US Patents #5,467,566 & #5,906,080

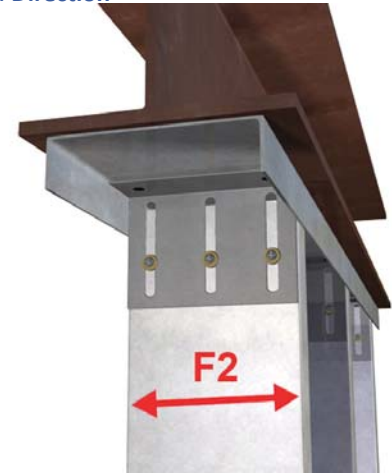
VertiClip SL w/ 3" Deflection Allowable (Unfactored) Loads'

VertiClip® SL w/ 3" Deflection, Recommended Allowable Load (lbs): F2						
Stud		SL362, s3lg,b2d	SL600, s3lg,b2d		SL800, s3lg,b2d	
Thickness Mils (ga)	Yield Strength (ksi)	w/ 2 #12 Screws	w/ 2 #12 Screws	w/ 3 #12 Screws	w/ 2 #12 Screws	w/ 3 #12 Screws
18 (25)	33	377	377	565	377	565
27 (22)	33	544	544	817	544	817
30 (20 - Drywall)	33	561	561	841	561	841
33 (20 - Structural)	33	617	810	1,215	810	1,215
33 (20)	50	617	789	1,183	789	1,183
43 (18)	33	617	1,139	1,571	1,139	1,709
43 (18)	50	617	1,571	1,571	1,610	1,915
54 (16)	33	617	1,571	1,571	1,698	1,915
54 (16)	50	617	1,571	1,571	1,698	1,915
Maximum Allowable Clip Load		617	1,571	1,571	1,915	1,915

Notes:

- Meets criteria for IBC 2009, 2012. Factor of Safety calculated according to ICC-ES AC261 and section F1 of AISI S100-07
- Fasten within 3/4" from the angle heel to minimize eccentric load transfer.
- VertiClip SL series is designed to support horizontal loads and should not be used in axial-load-bearing wall construction.
- Total vertical deflection of up to 3" (1 1/2" up and 1 1/2" down).
- The standard bushing placement is 2" from the top of the slot and allows the structure to settle 1/2" prior to typical service.
- Allowable loads have not been increased for wind, seismic, or other factors.
- #12 screws are provided with each pre-installed step bushing.
- Tests performed with bushings centered in the 3" slots.

Load Direction



Nomenclature

VertiClip SL with 3" deflection is designated by type (SL), followed by stud depth in inches multiplied by 100, slot length (s "length in inches" lg), and bushing placement (b "distance from top slot in inches" d).

Example: 6" deep stud, 3" slot, bushings 2" down from top of slot

Designate: VertiClip® SL600,s3lg,b2d