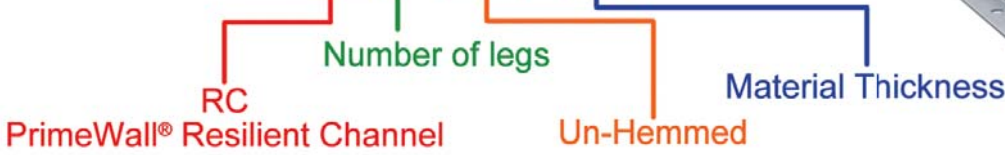


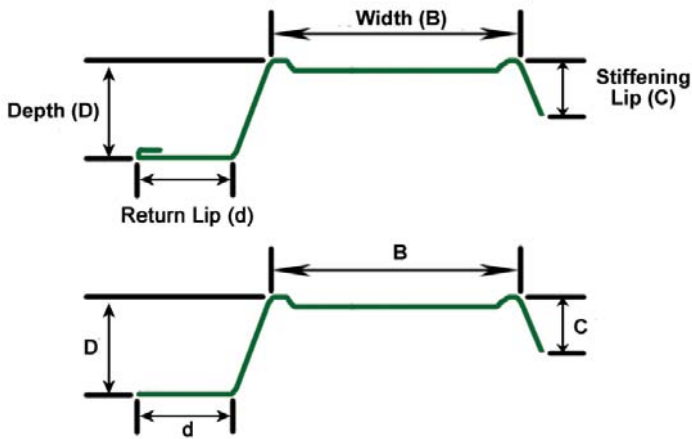
RC1-NH-30, 33 ksi



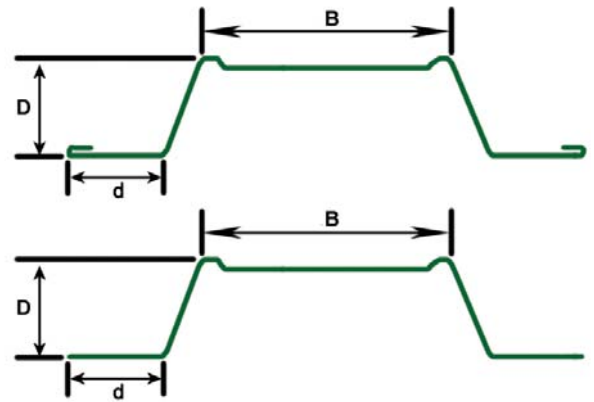
Material Composition

ASTM A1003/A 1003M Non Structural Grade 33 (230), 33 ksi (230 MPa) minimum yield strength, G40 (Z120) hot-dipped galvanized coating, or equivalent conforming to ASTM C645.

Single Leg - RC1



Double Leg - RC2



Important Table Notes

- 18 mil resilient channel is hemmed; 30 mil resilient channel is unhemmed.
- PrimeWall Furring Channel is produced to meet or exceed ASTM C645, A653, and A1003.
- Galvanized sheet steel meets or exceeds requirements of ASTM A924 & A1003.

Product Profile									
Section	Width	Depth	Stiffening Lip	Return Lip	Gauge	Design Thickness	Minimum Steel Thickness	Inside Bend Radius	Weight
	(B)	(D)	(C)	(d)	(ga)	(t)	(t _{min})	(R)	(lbs/ft)
RC1-H-18, 33 ksi	1.25	0.5	0.25	0.5	25	0.0188	0.0179	0.0313	0.170
RC1-NH-30, 33 ksi	1.25	0.5	0.25	0.5	20	0.0312	0.0296	0.0313	0.270
RC2-H-18, 33 ksi	1.25	0.5	0.5	0.5	25	0.0188	0.0179	0.0313	0.228
RC2-NH-30, 33 ksi	1.25	0.5	0.5	0.5	20	0.0312	0.0296	0.0313	0.351