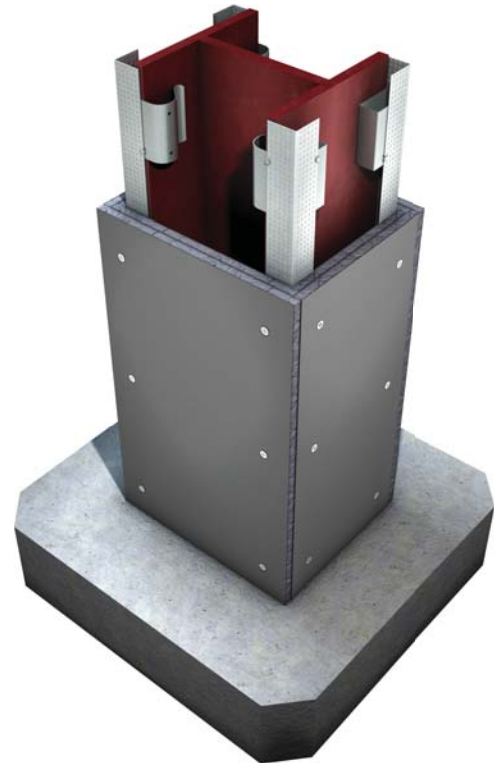
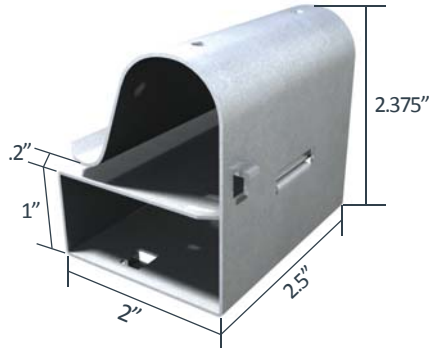


GripClip®

Column/Beam Connector

Material Composition

ASTM A1003 A1003/A1003M Structural Grade 33 (230) Type H, ST33H (ST230H): 33ksi (230MPa) minimum yield strength, 45ksi (310MPa) minimum tensile strength, 27mil minimum thickness (22 gauge, 0.0283" design thickness) with ASTM A653/A653M G60 (Z180) hot dipped galvanized coating.



Patent # 8,132,383

Nomenclature

GripClip is made in one size and is designated *GripClip*®.

Example Details

