

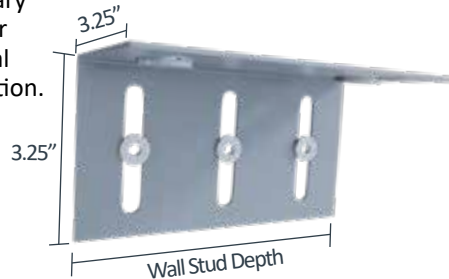
DriftClip® DSL

Exterior Head of Wall

Material Composition

ASTM A1003/A1003M Structural Grade 50 (340) Type H, ST50H (ST340H): 50ksi (340MPa) minimum yield strength, 65ksi (450MPa) minimum tensile strength, 97mil minimum thickness (12 gauge, 0.1017" design thickness) with ASTM A653/A653M G90 (Z275) hot dipped galvanized coating.

The attachment of DriftClip DSL to the primary structure may be made with PAFs, screws, or bolt anchors depending on the base material (steel or concrete) and the design configuration. The step bushings used for attachment to structure are designed for use with ¼" maximum diameter fasteners. Designing this connection is the responsibility of the Structural Engineer of Record, and a minimum of two fasteners must be used.



US Patent #6,612,087

DriftClip DSL Allowable (Unfactored) Loads¹

DriftClip® DSL, Recommended Allowable Load (lbs): F2												
Stud		Fastener Pattern 1					Fastener Pattern 2					
Thickness Mils (ga)	Yield Strength (ksi)	DSL362 w/2 #12 Screws	DSL600 w/2 #12 Screws	DSL600 w/3 #12 Screws	DSL800 w/2 #12 Screws	DSL800 w/3 #12 Screws	DSL362 w/2 #12 Screws	DSL600 w/2 #12 Screws	DSL600 w/3 #12 Screws	DSL800 w/2 #12 Screws	DSL800 w/3 #12 Screws	
33 (20)	33	357	376	56	376	564	129	376	418	376	564	
33 (20)	50	357	544	776	544	816	129	418	418	544	816	
43 (18)	33	357	560	776	560	840	129	418	418	560	840	
43 (18)	50	357	776	776	810	1,041	129	418	418	810	1,041	
54 (16)	33	357	776	776	788	1,041	129	418	418	788	1,041	
54 (16)	50	357	776	776	1,041	1,041	129	418	418	1,041	1,041	
68 (14)	50	357	776	776	1,041	1,041	129	418	418	1,041	1,041	
97 (12)	50	357	776	776	1,041	1,041	129	418	418	1,041	1,041	
Max Allowable Clip Load		357	776	1,041			129	418		1,041		

Notes:

- Design loads are for attachment of DriftClip DSL to stud only.
- Allowable loads have not been increased for wind, seismic, or other factors.
- DriftClip DSL allows up to 2" of vertical deflection (1" up and 1" down), and 2" of lateral drift (1" left and 1" right) in plane. Deflection requirements greater than 2" of lateral drift are available.
- #12 screws are provided for each step bushing attachment to studs. Load requirements do not always require the use of a third screw.
- Attachment of structure to be engineered by others. As a design reference for the structure attachment, reference AISI S100 or screw manufacturers published data for allowable loads for screw fasteners of 1/4"-20 size with various plate thicknesses.
- One row of bridging is recommended at a maximum distance of 18" from DriftClip to resist torsional effects.
- For LRFD strengths contact TSN technical services.

Load Direction



Nomenclature

DriftClip DSL is classified by multiplying stud depth by 100.*

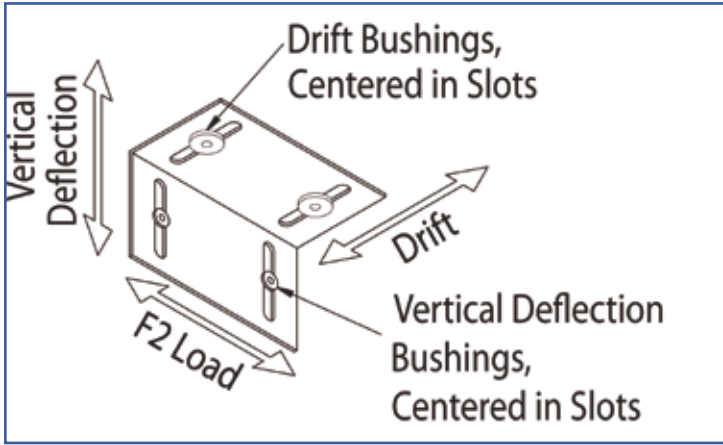
Example: 6" stud depth

Designate: DriftClip® DSL600

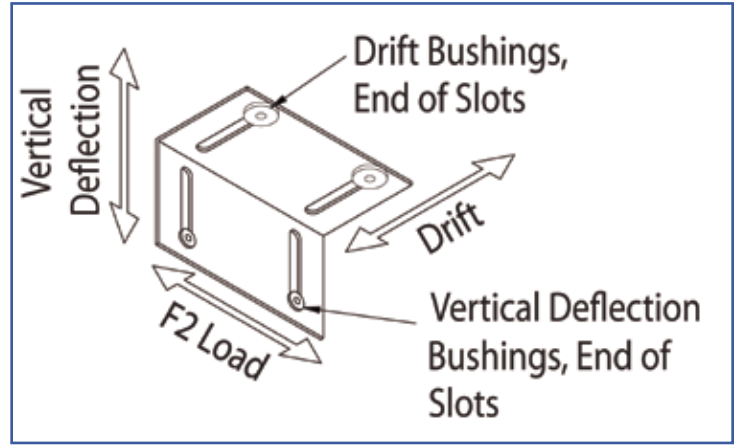
* Parts with the designation "-CA" on the end of the part name includes a special bushing available to allow connection to the side of the concrete slab using two ¼" concrete screw anchors

** If more than 2" lateral drift is required, contact TSN engineering.

Fastener Patterns



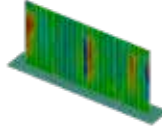
Fastener Pattern 1 replicates a condition of out-of-plane wind or seismic force with no vertical live load deflection or in-plane drift.



Fastener Pattern 2 replicates a condition of out-of-plane wind or seismic force with full vertical live load deflection and full in-plane drift.



DriftClip DSL362/400,
DSL600 & DSL800
ICC-ESR-2049
www.icc-es.org



DriftClip DSL Series
Blast and Seismic Design Data
www.steelnetwork.com

**** For more information or to review a copy of each of these reports, please visit our website at <http://www.steelnetwork.com/light-steel-framing-design-resources>**