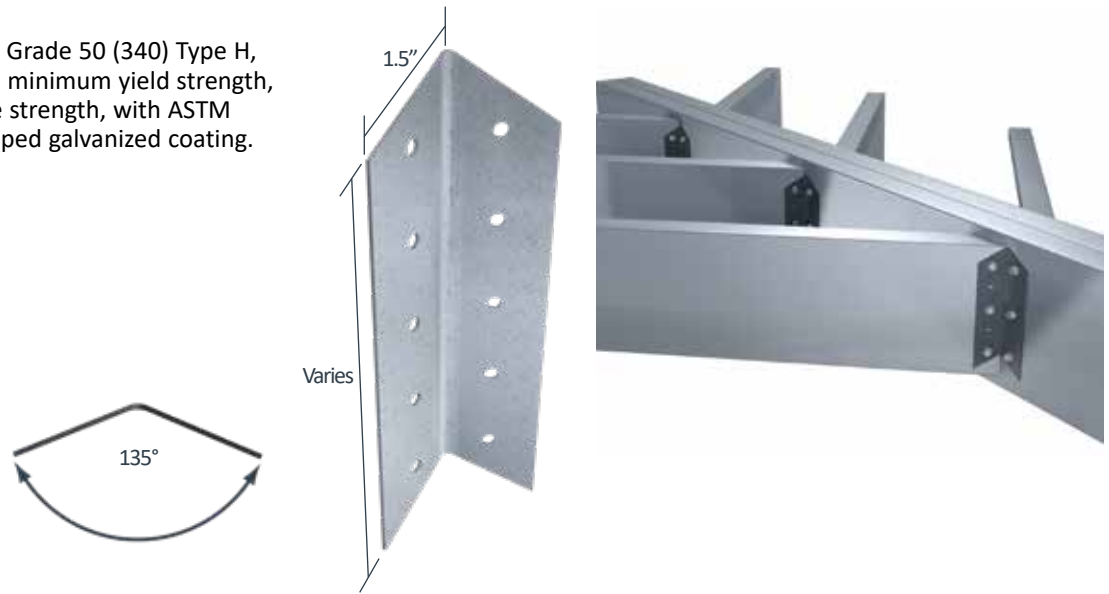


StiffClip® HC

Hip Connector

Material Composition

ASTM A1003/A1003M Structural Grade 50 (340) Type H, ST50H (ST340H): 50ksi (340MPa) minimum yield strength, 65ksi (450MPa) minimum tensile strength, with ASTM A653/A653M G90 (Z275) hot dipped galvanized coating.



StiffClip HC Allowable Loads

StiffClip® HC Recommended Allowable Load for a Single Clip (lbs): F3 Load Direction								
Screw Patterns with #12 Screws	HC362/400-43	HC362/400-68	HC600-43	HC600-68	HC800-43	HC800-68	HC1000-68	
	2 Screws	2 Screws	4 Screws	4 Screws	5 Screws	5 Screws	4 Screws	6 Screws
33mil (20ga), 33ksi Stud	337	336	720	720	909	909	N / A	N / A
33mil (20ga), 50ksi Stud	487	487	1,042	1,042	1,315	1,315	N / A	N / A
43mil (18ga), 33ksi Stud	501	501	1,073	1,073	1,353	1,353	1,100	1,643
43mil (18ga), 50ksi Stud	725	724	1,552	1,552	1,958	1,958	1,591	2,376
54mil (16ga), 33ksi Stud	736	705	1,575	1,510	1,987	1,904	1,548	2,312
54mil (16ga), 50ksi Stud	864	1,018	2,158	2,180	2,714	2,750	2,235	3,338
68mil (14ga), 50ksi Stud	864	1,283	2,158	2,747	2,714	3,466	2,816	4,207
97mil (12ga), 50ksi Stud	864	1,283	2,158	2,747	2,714	3,466	2,816	4,207
Max Allowable Clip Load	864	1,392	2,158	3,639	2,714	5,062	5,062	

Screw Patterns with #12 Screws	HC1200-68		HC1400-68		HC1600-68	
	6 Screws	8 Screws	5 Screws	9 Screws	6 Screws	10 Screws
54mil (16ga), 33ksi Stud	2,341	3,109	1,955	3,507	2,345	3,904
54mil (16ga), 50ksi Stud	3,381	4,490	2,823	4,560	3,387	4,560
68mil (14ga), 50ksi Stud	4,260	4,560	3,557	4,560	4,560	4,560
97mil (12ga), 50ksi Stud	4,260	4,560	3,557	4,560	4,560	4,560
Max Allowable Clip Load	4,560		4,560		4,560	

Notes:

1. Design loads are for attachment of StiffClip HC to cold formed framing only. Load tables reflect vertical loads (F3).
2. Design loads consider loads on the clip and #12 screw fasteners in each leg.
3. Torsional effects are considered on screw group for F3 allowable loads. It is assumed that half of the torsional moment is taken by screw group in each leg of clip.
4. Allowable loads have not been increased for wind, seismic, or other factors.
5. For LRFD strengths contact TSN technical services.

Nomenclature

StiffClip HC is designated by multiplying rafter depth by 100, then listing material thickness.

Example: 6" rafter depth, 68mil steel thickness

Designate: StiffClip® HC600-68

**Standard angle bend is 135°. Other bend angles are available.

Load Direction

