

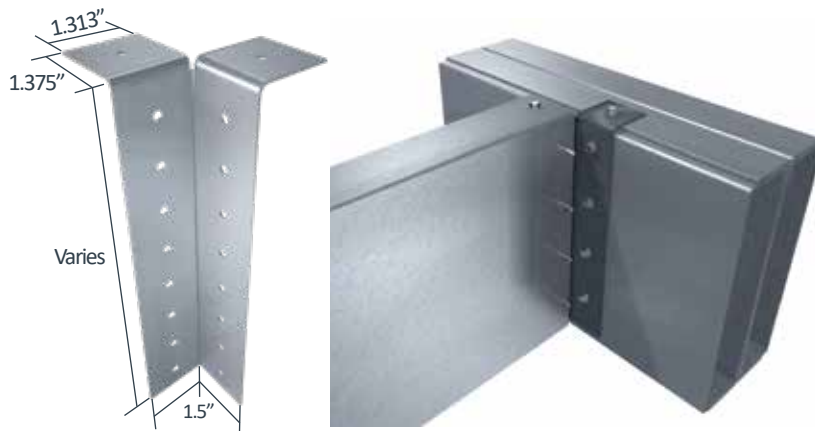
StiffClip® JC

Joist Connector



Material Composition

ASTM A1003/A1003M Structural Grade 50 (340) Type H, ST50H (ST340H): 50ksi (340MPa) minimum yield strength, 65ksi (450MPa) minimum tensile strength, with ASTM A653/A653M G90 (Z275) hot dipped galvanized coating.



StiffClip JC Allowable Loads

StiffClip® JC Recommended Allowable Load (lbs): F3 Load Direction												
Screw Patterns with #12 Screws	JC362/400-43	JC362/400-68	JC600-43		JC600-68		JC800-43		JC800-68		JC1000-68	
	3 Screws	3 Screws	3 Screws	5 Screws	3 Screws	5 Screws	4 Screws	7 Screws	4 Screws	7 Screws	5 Screws	9 Screws
33mil (20ga), 33ksi Stud	564	564	543	880	543	880	734	1,267	734	1,267	924	1,651
33mil (20ga), 50ksi Stud	816	816	786	1,273	786	1,273	1,061	1,833	1,061	1,833	1,337	2,388
43mil (18ga), 33ksi Stud	836	840	809	1,311	809	1,311	1,093	1,887	1,093	1,887	1,376	2,459
43mil (18ga), 50ksi Stud	836	1,215	1,170	1,896	1,170	1,896	1,580	2,729	1,580	2,729	1,990	3,556
54mil (16ga), 33ksi Stud	836	1,182	1,187	1,924	1,138	1,845	1,604	2,770	1,538	2,655	1,936	3,460
54mil (16ga), 50ksi Stud	836	1,482	1,646	2,158	1,643	2,664	2,224	3,220	2,220	3,834	2,796	4,996
68mil (14ga), 50ksi Stud	836	1,482	1,646	2,158	2,071	3,357	2,224	3,220	2,798	4,617	3,524	5,062
97mil (12ga), 50ksi Stud	836	1,482	1,646	2,158	2,071	3,357	2,224	3,220	2,798	4,617	3,524	5,062
Max Allowable Clip Load	836	1,482	2,158		3,639		3,220		4,617		5,062	

StiffClip® JC Recommended Allowable Load (lbs): F3 Load Direction						
Screw Patterns with #12 Screws	JC1200-68		JC1400-68		JC1600-68	
	w/6 #12 screws	w/11 #12 screws	w/7 #12 screws	w/13 #12 screws	w/8 #12 screws	w/15 #12 screws
54mil (16ga), 33ksi Stud	2,334	4,260	2,731	5,057	3,128	5,649
54mil (16ga), 50ksi Stud	3,371	5,649	3,944	5,649	4,517	5,649
68mil (14ga), 50ksi Stud	4,247	5,649	4,970	5,649	5,649	5,649
97mil (12ga), 50ksi Stud	4,247	5,649	4,970	5,649	5,649	5,649
Max Allowable Clip Load	5,649		5,649		5,649	

Notes:

- Design loads are for attachment of StiffClip JC to joist only. Load tables reflect vertical loads (F3).
- Design loads consider clip capacity and screw connection to the joist only.
- All guide holes may not require fasteners. Fastener size and quantity determined by designer.
- Torsional effects are considered on screw group for F3 allowable loads. It is assumed that half of the torsional moment is resisted by the connection to the structure and half is resisted by the connection to the joist.
- Allowable loads have not been increased for wind, seismic, or other factors.
- StiffClip JC attachment to the beam or structure must be designed to be greater than or equivalent to the joist attachment.
- For LRFD strengths contact TSN technical services.

Nomenclature

StiffClip JC is designated by listing the joist depth in inches, followed by the required clip thickness in mils that will accommodate anticipated loads. (see load tables above)

Example: 6" joist, 3,000 lbs. load
Designate: StiffClip® JC600-68

Load Direction

