

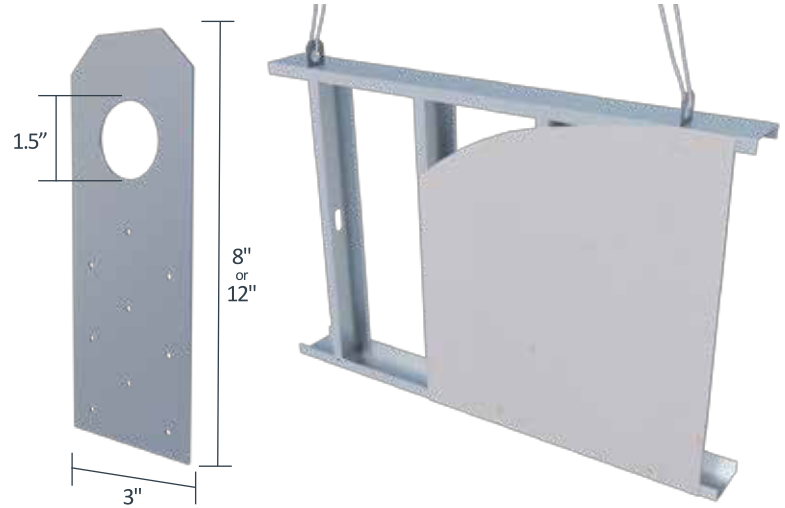
StiffClip® PLC

Panel Lift Clip



Material Composition

ASTM A1003/A1003M Structural Grade 50 (340) Type H, ST50H (ST340H): 50ksi (340MPa) minimum yield strength, 65ksi (450MPa) minimum tensile strength, 97mil minimum thickness (12 gauge, 0.1017" design thickness) with ASTM A653/A653M G90 (Z275) hot dipped galvanized coating.



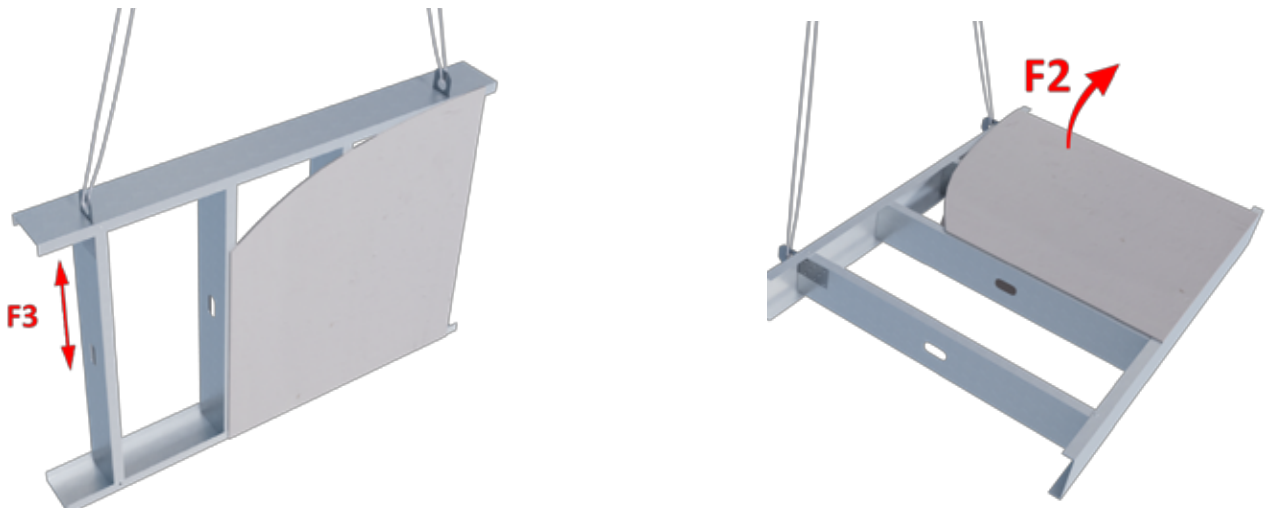
StiffClip PLC Allowable Loads

StiffClip® PLC, Recommended Allowable Load for Steel Framing (lbs): F3 & F2												
Screw Patterns with #10 Screws	F2 Load Direction						F3 Load Direction					
	PLC-8-97			PLC-12-97			PLC-8-97			PLC-12-97		
	3 Screws	6 Screws	9 Screws	5 Screws	9 Screws	15 Screws	3 Screws	6 Screws	9 Screws	5 Screws	9 Screws	15 Screws
33mil (20ga), 33ksi Stud	106	306	373	166	237	517	531	1,062	1,361	885	1,361	1,361
33mil (20ga), 50ksi Stud	153	441	537	239	341	745	765	1,361	1,361	1,275	1,361	1,361
43mil (18ga), 33ksi Stud	158	455	554	247	352	768	789	1,361	1,361	1,315	1,361	1,361
43mil (18ga), 50ksi Stud	228	658	800	356	509	1,110	1,140	1,361	1,361	1,361	1,361	1,361
54mil (16ga), 33ksi Stud	222	641	779	347	495	1,081	1,110	1,361	1,361	1,361	1,361	1,361
54mil (16ga), 50ksi Stud	320	924	1,125	501	715	1,156	1,361	1,361	1,361	1,361	1,361	1,361
68mil (14ga), 50ksi Stud	329	949	1,154	514	734	1,156	1,361	1,361	1,361	1,361	1,361	1,361
97mil (12ga), 50ksi Stud	329	949	1,154	514	734	1,156	1,361	1,361	1,361	1,361	1,361	1,361
118mil (10ga), 50ksi Stud	329	949	1,154	514	734	1,156	1,361	1,361	1,361	1,361	1,361	1,361
Maximum Allowable Clip Load	1,156						1,361					

Load Table Notes:

1. Design loads consider loads on the clip and #10 screw fasteners to steel framing.
2. Spacing between clips to be controlled by the weight of panel and presence of a spreader bar or a load distribution member
3. For screw patterns other than standard patterns shown, contact TSN technical services.
4. For LRFD strengths contact TSN technical services.

Load Direction



Nomenclature

StiffClip PLC is available in two sizes and is designated by the length of the clip, followed by mil thickness (-97)

Example: 8" Connector

Designate: StiffClip® PLC-8-97

Example Details



Double Attachment to Wall at End Stud



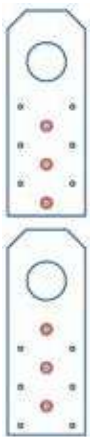
Attachment to Wall at Intermediate Stud



Attachment to Stud Web

Screw Patterns for StiffClip® PLC

3 Screw Pattern



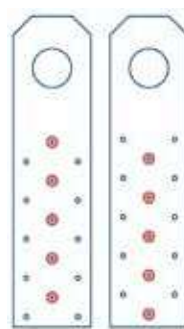
6 Screw Pattern



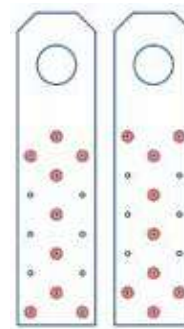
9 Screw Pattern



5 Screw Pattern



9 Screw Pattern



15 Screw Pattern

